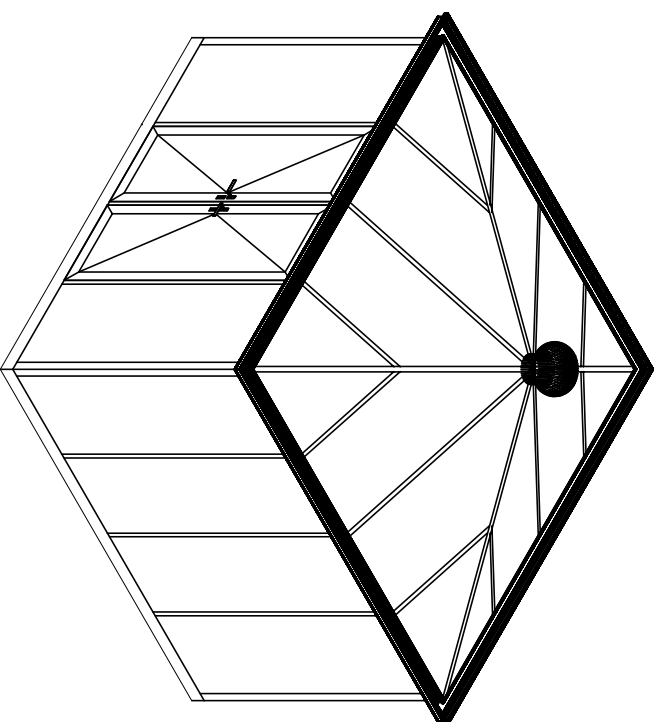
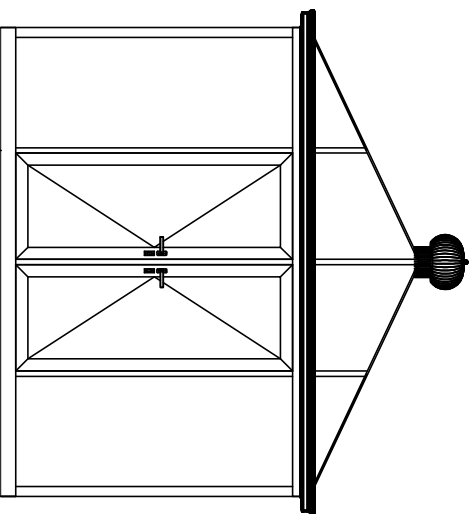
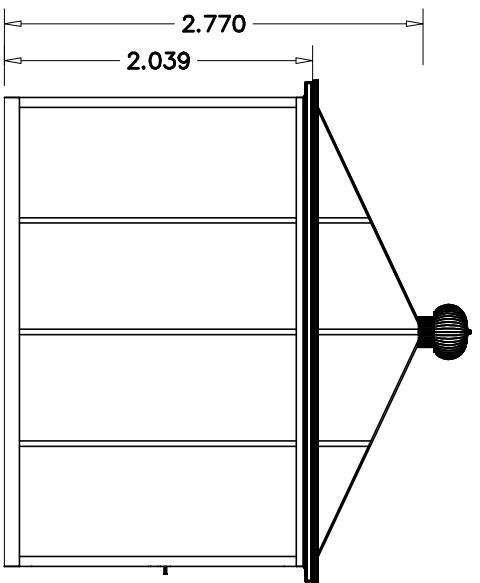
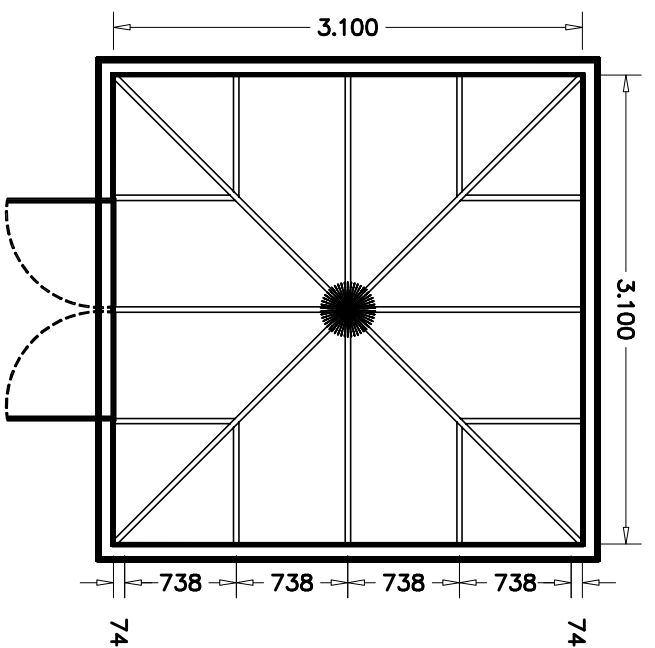
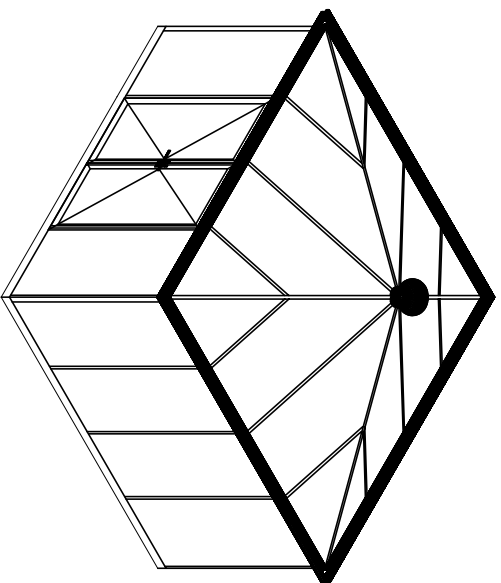
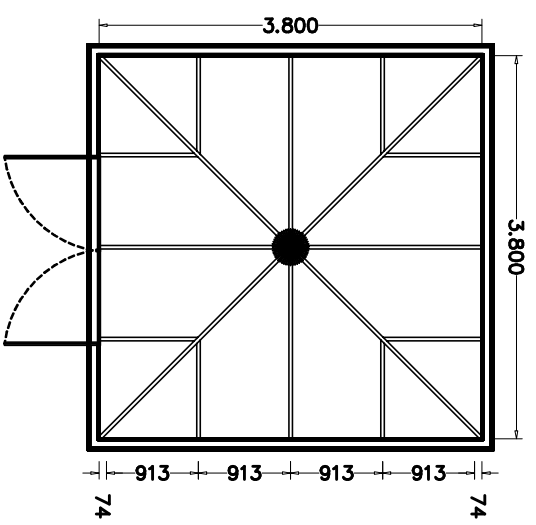
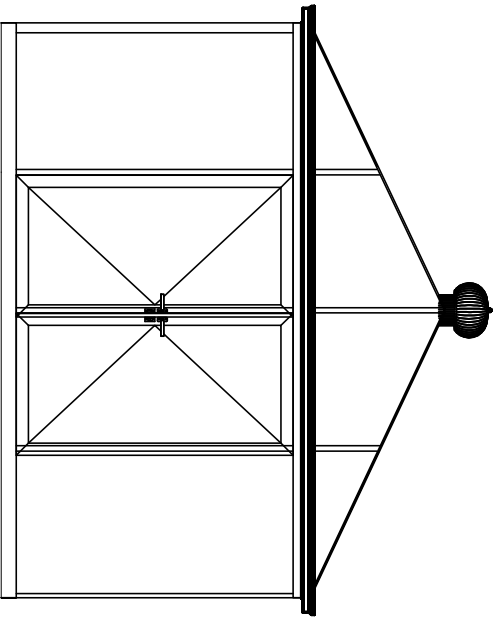
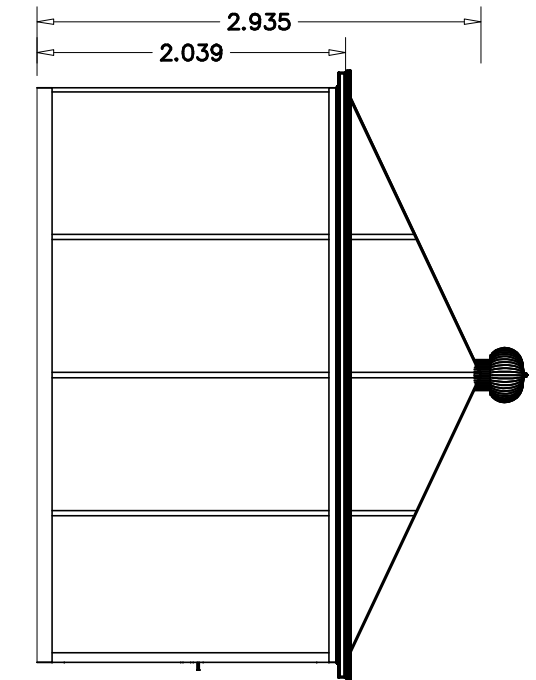


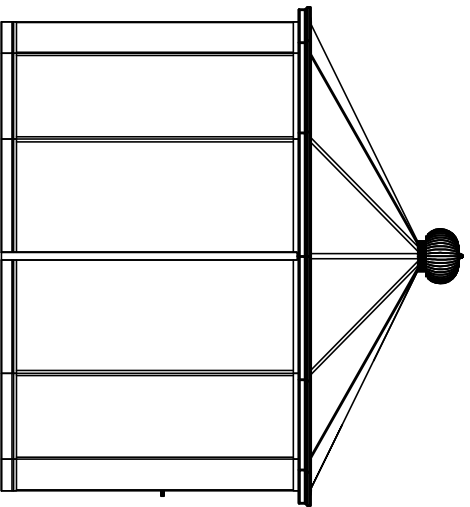
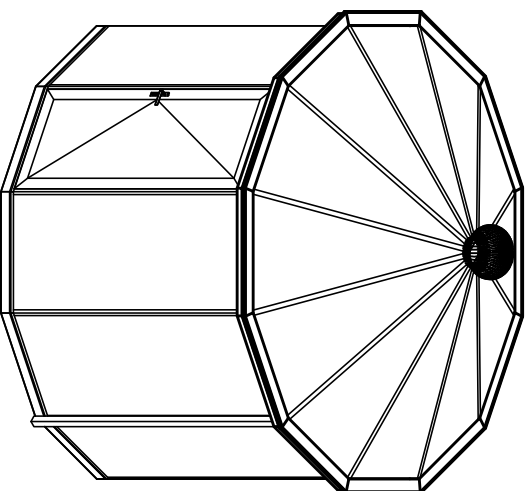
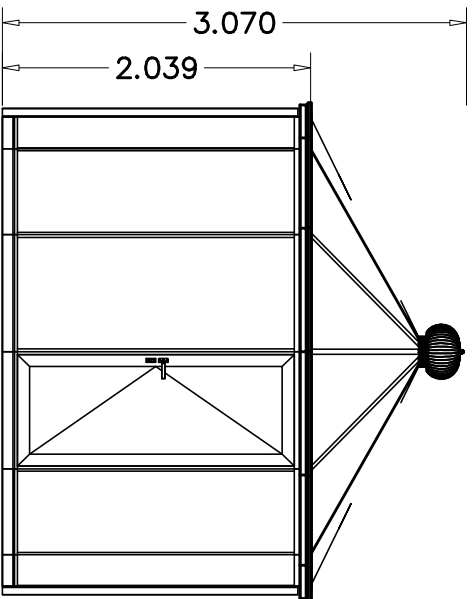
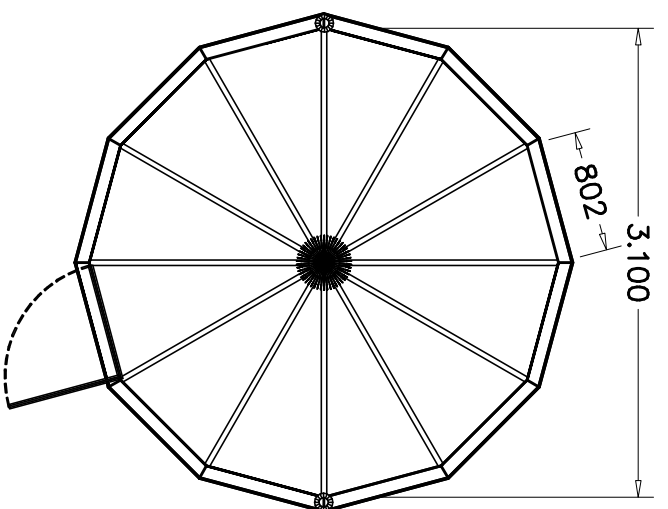
Pyramide dia. 3100



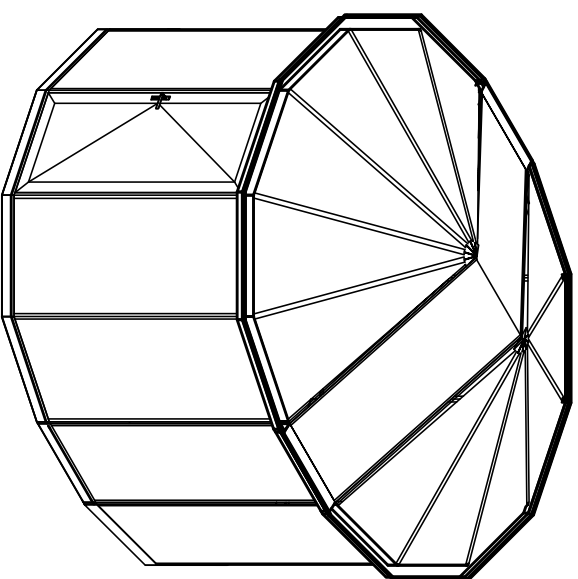
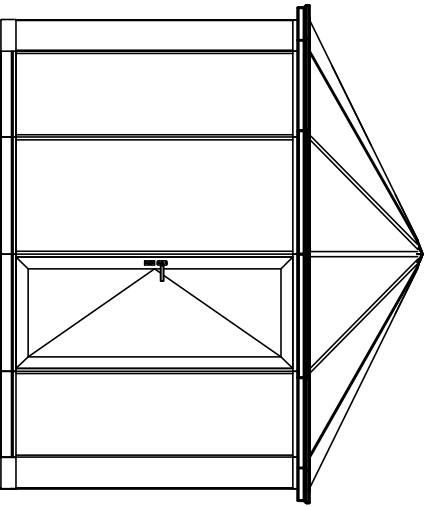
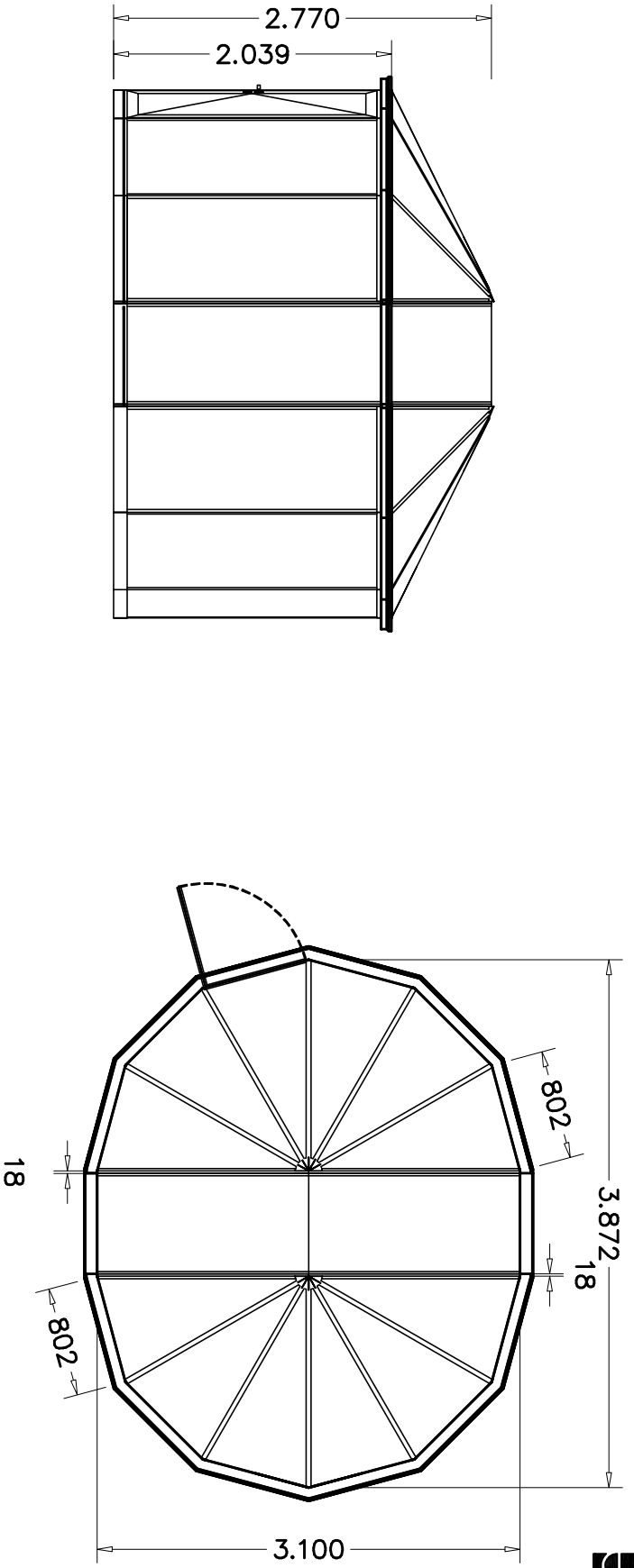
Pyramide dia. 3100



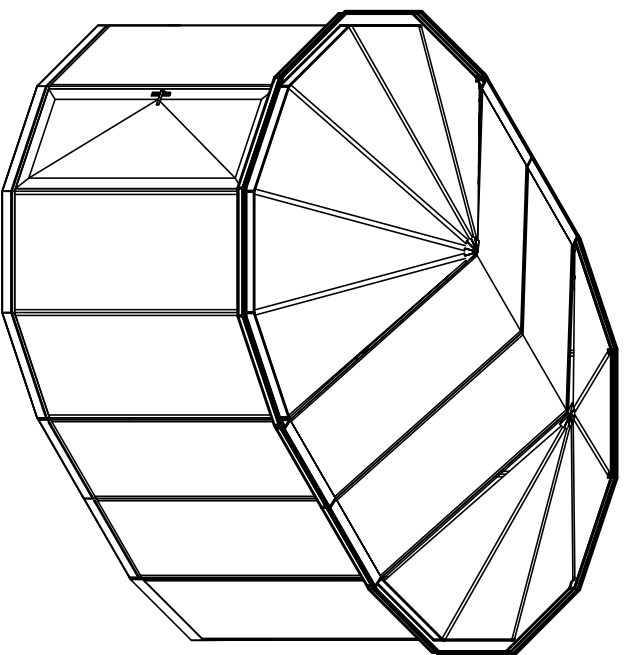
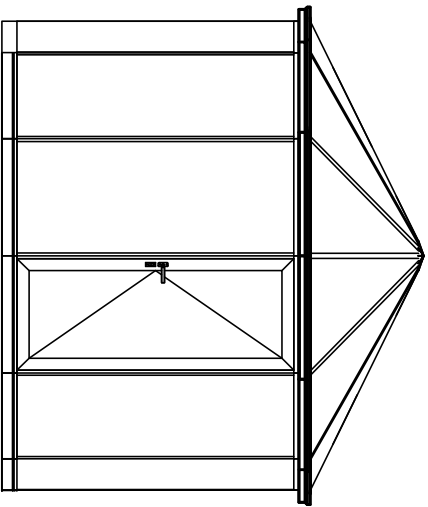
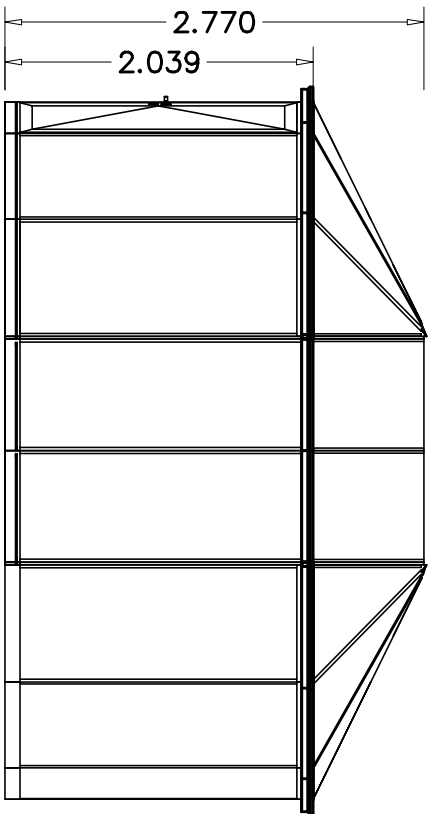
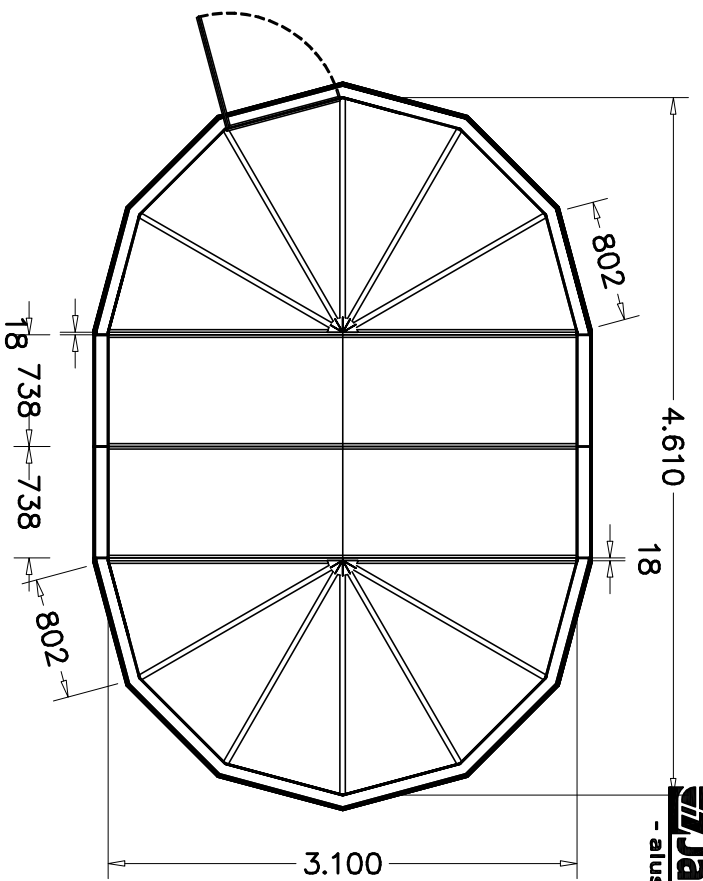
Pyramide dia. 3800



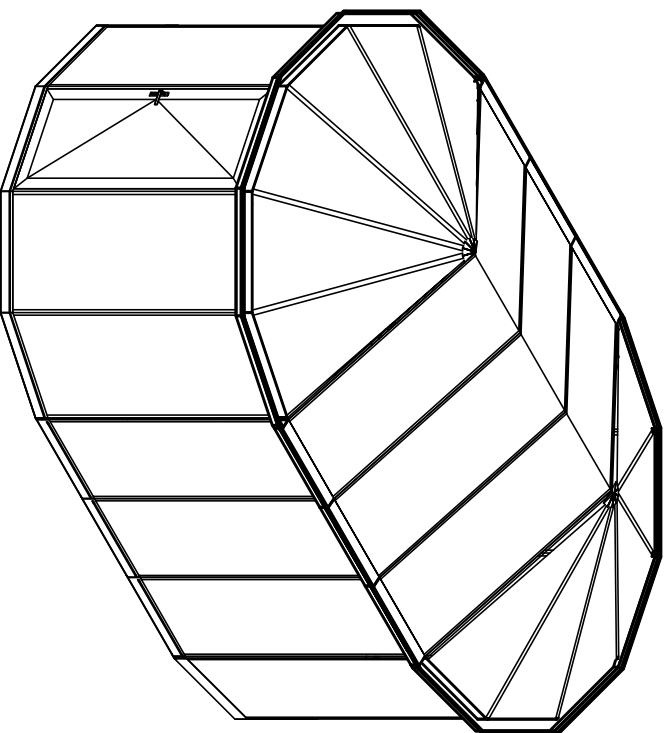
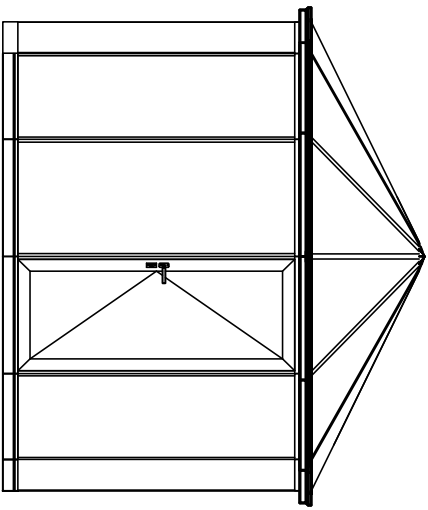
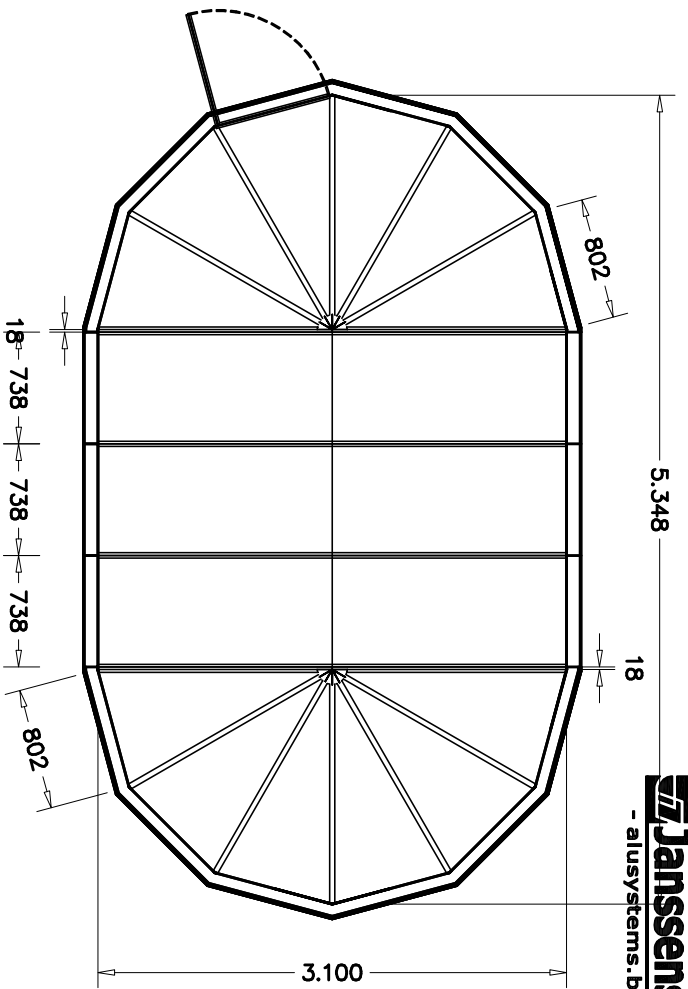
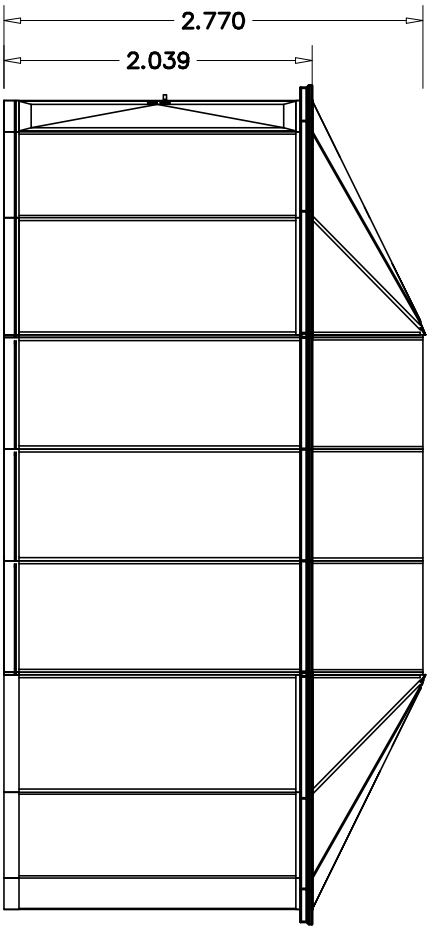
Carrousel A dia. 3100



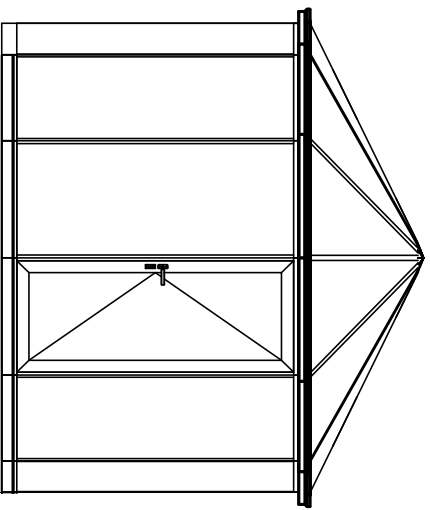
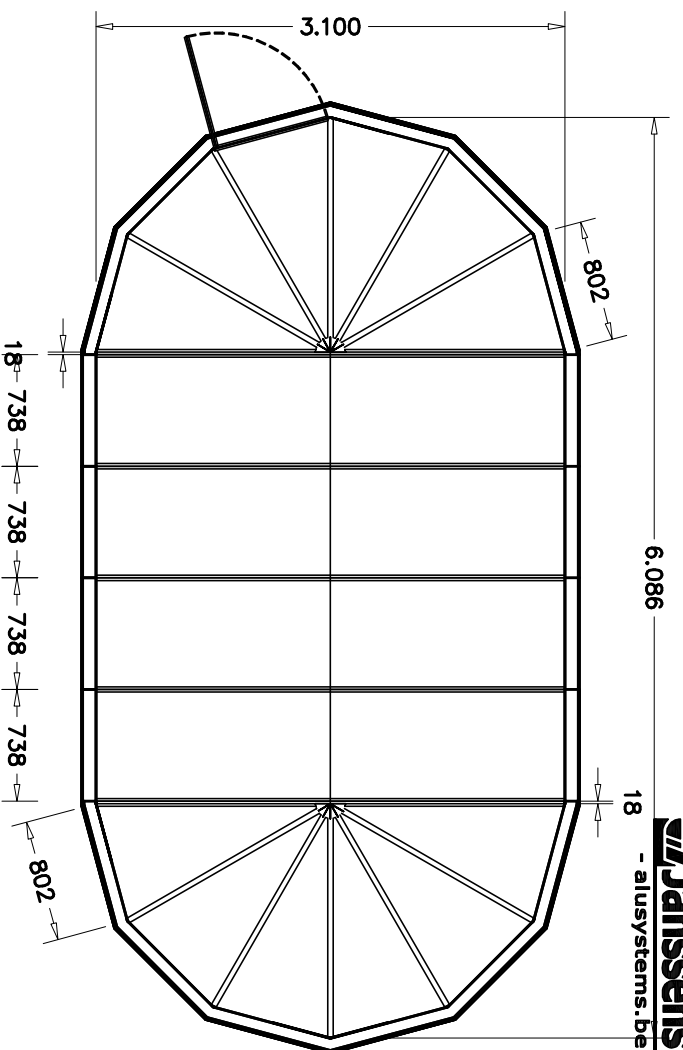
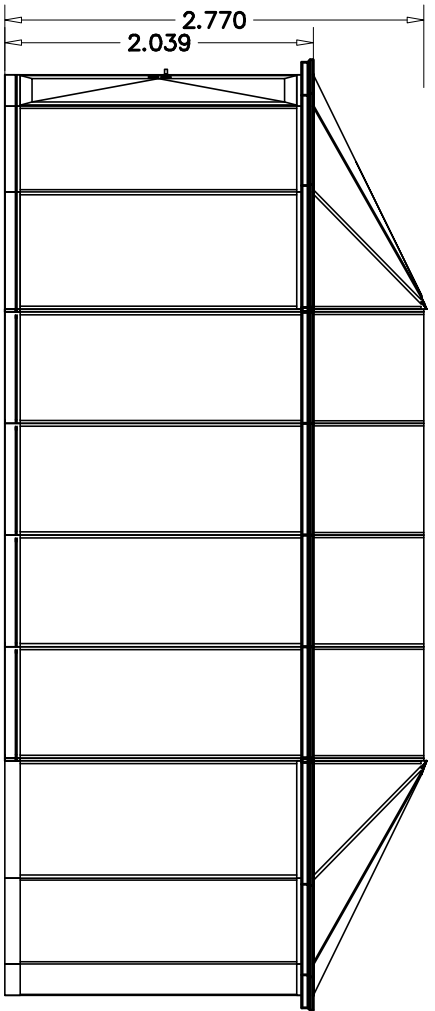
Carrousel A dia. 3100+1



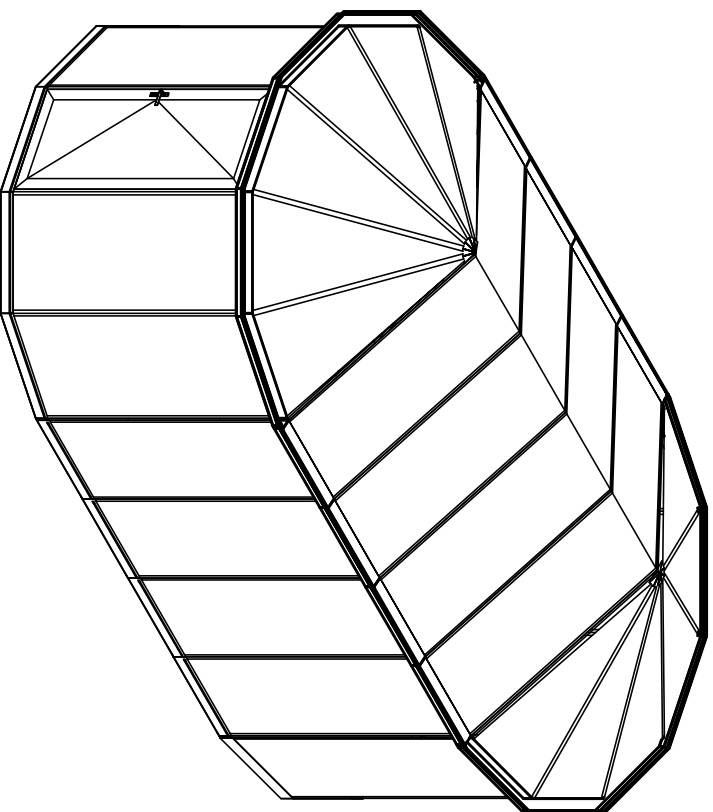
Carrousel A dia.3100+2

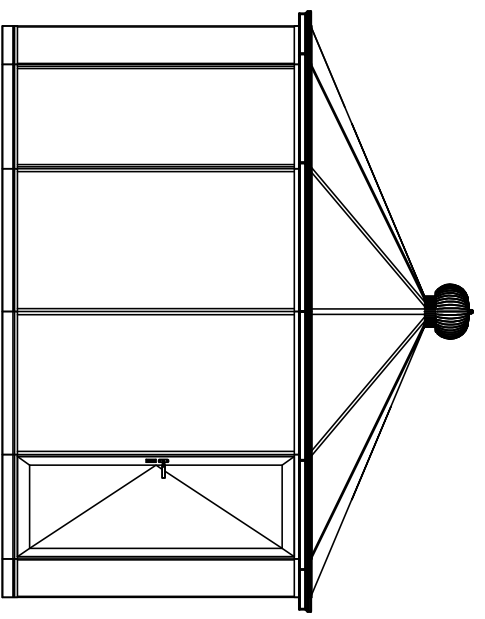
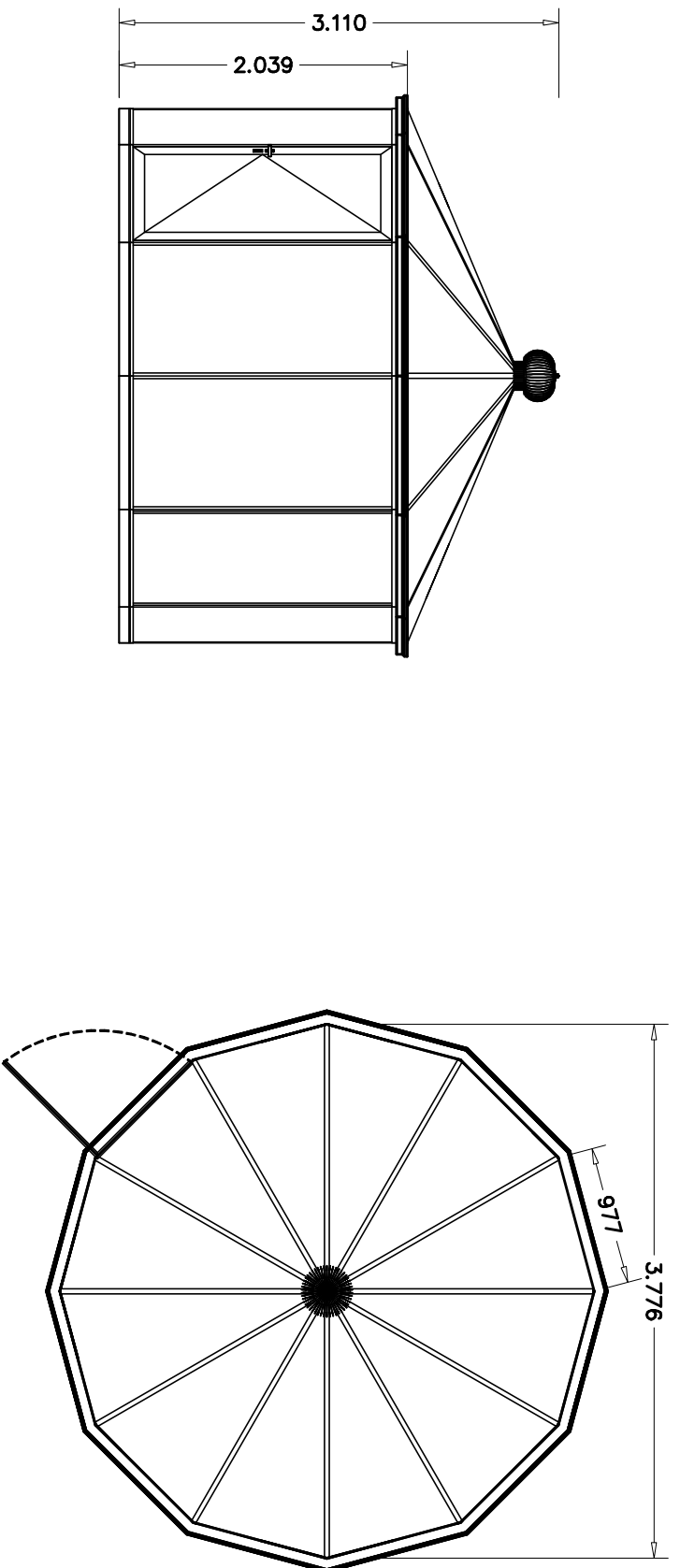


Carrousel A dia.3100+3

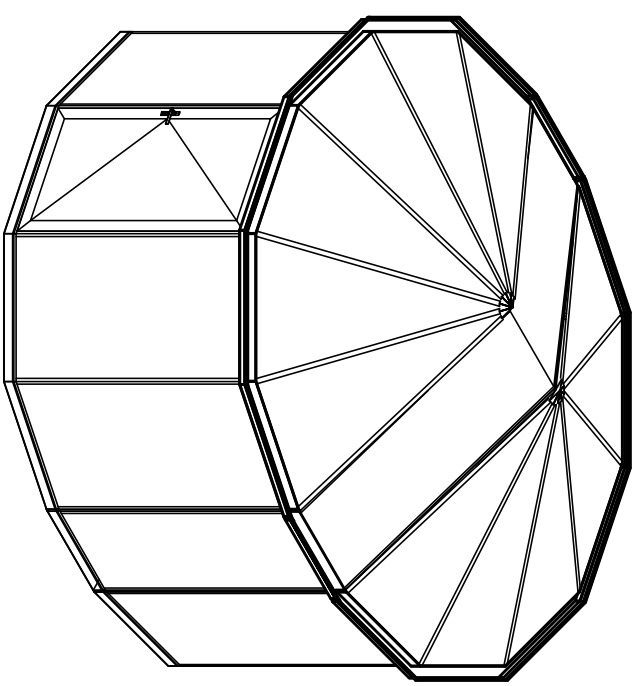
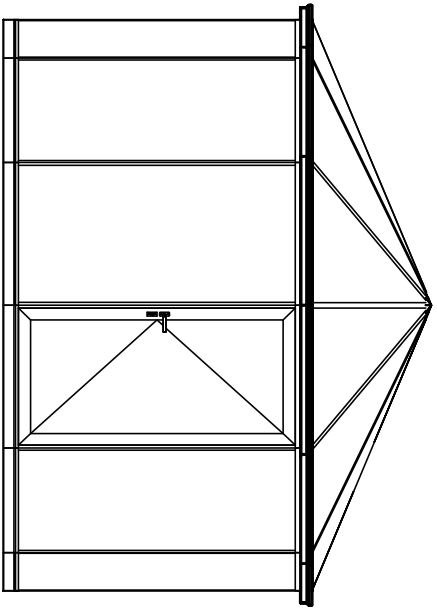
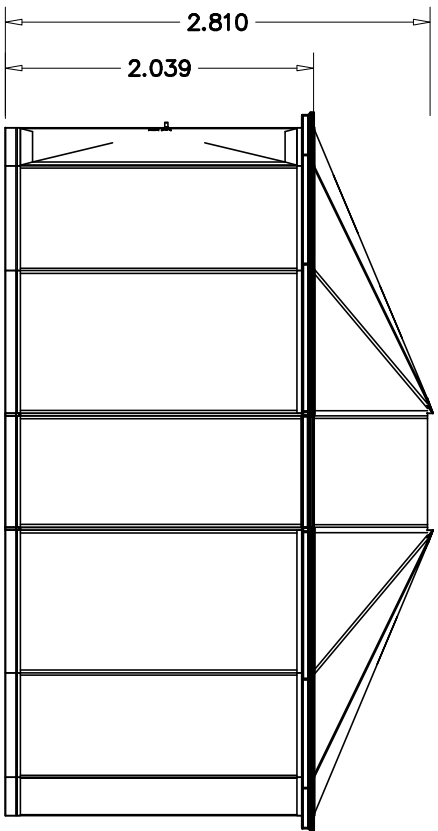
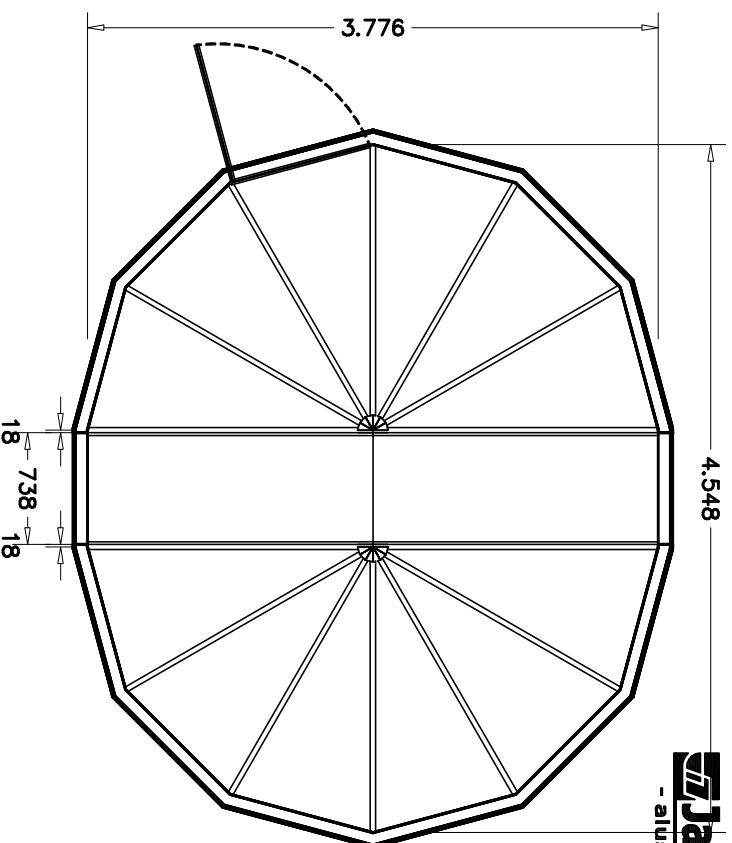


Carrousel A dia.3100+4



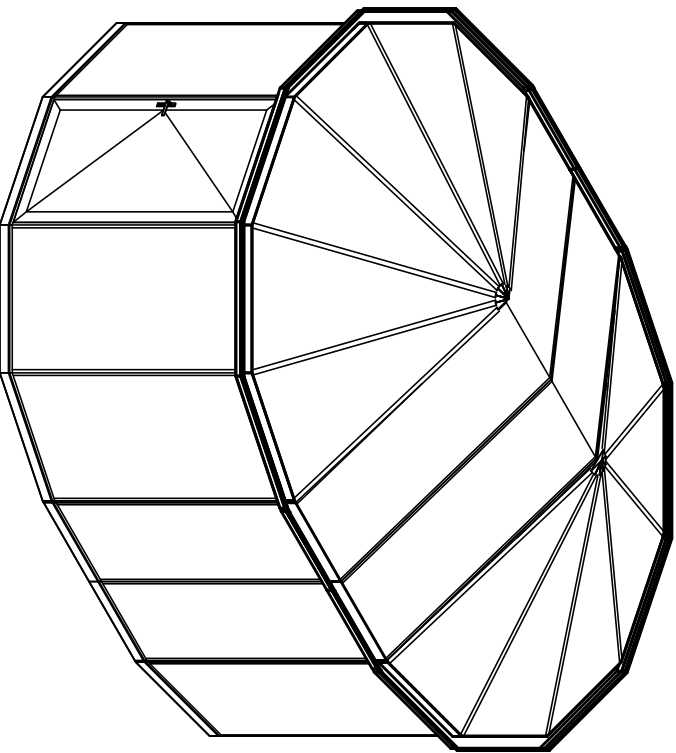
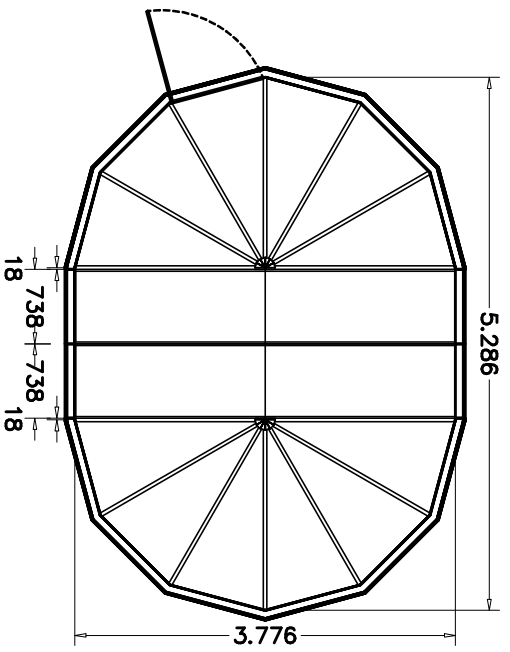
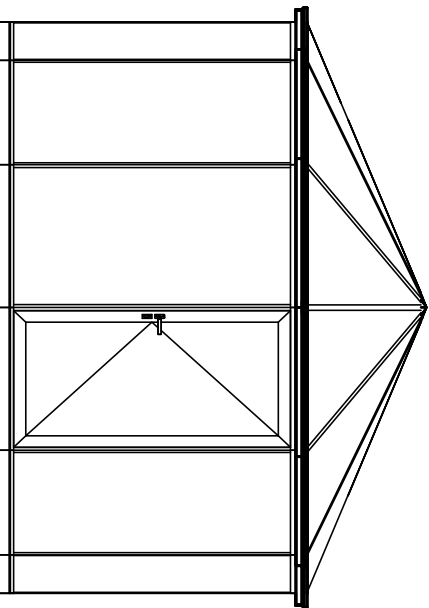
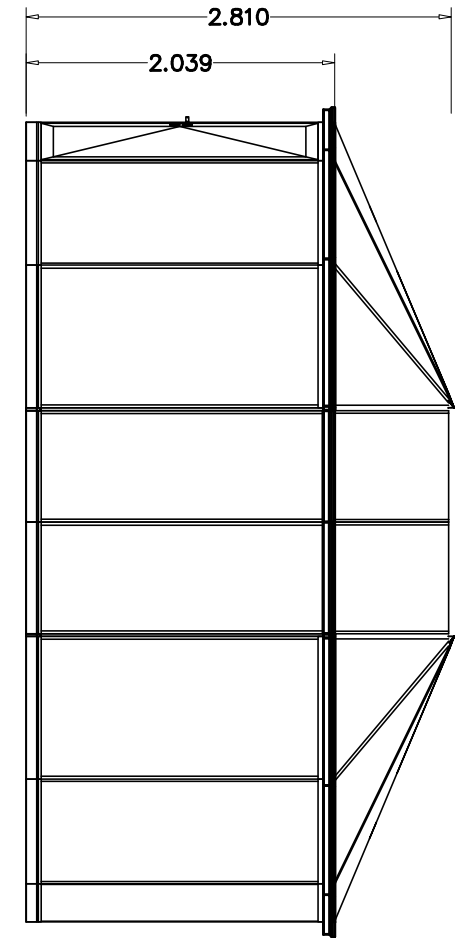


Carroussel A dia. 3.776

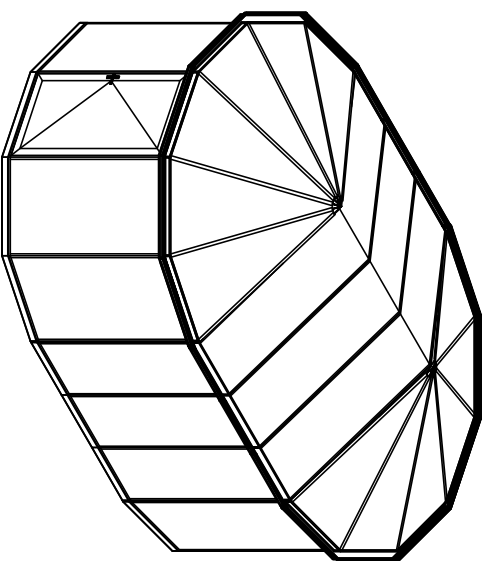
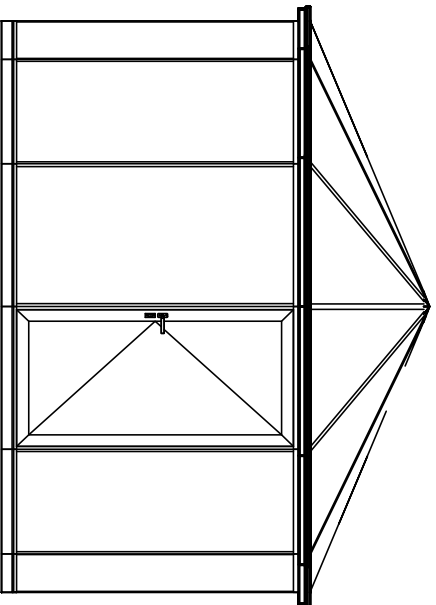
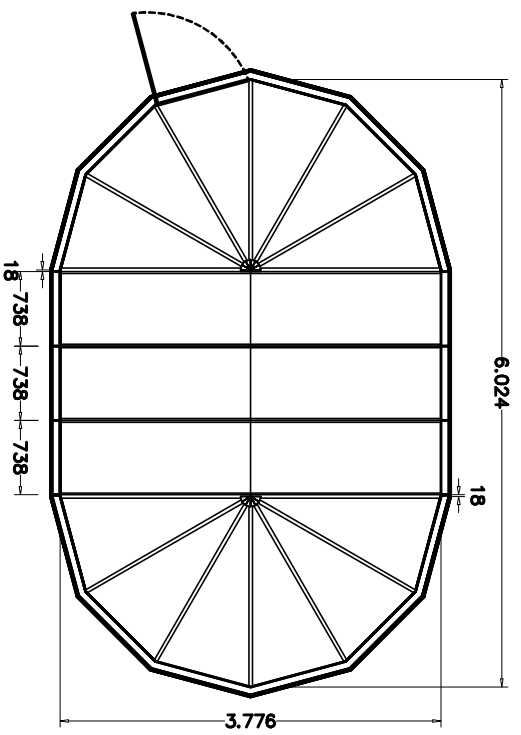
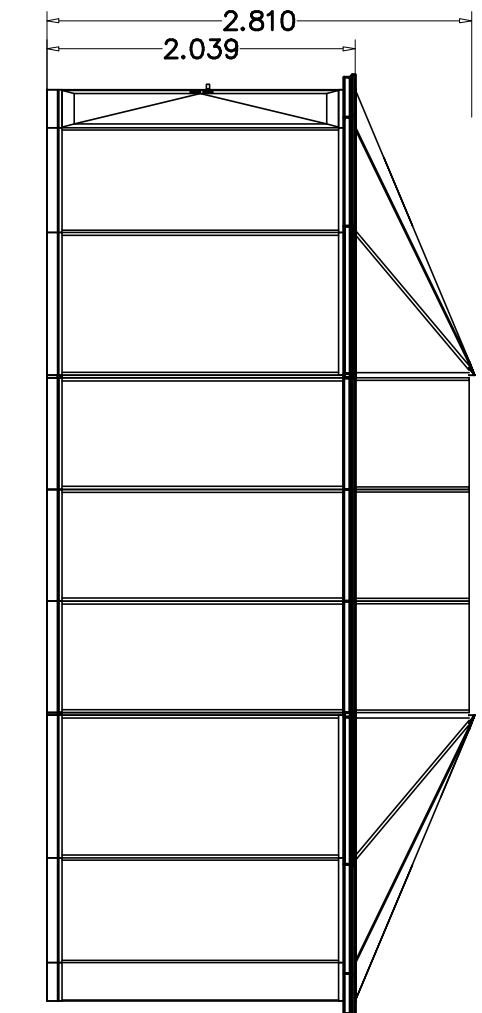


Carrousel A dia. 3776+1

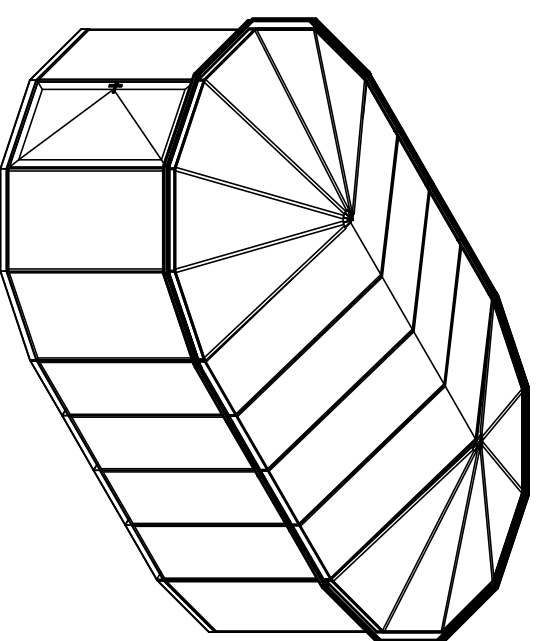
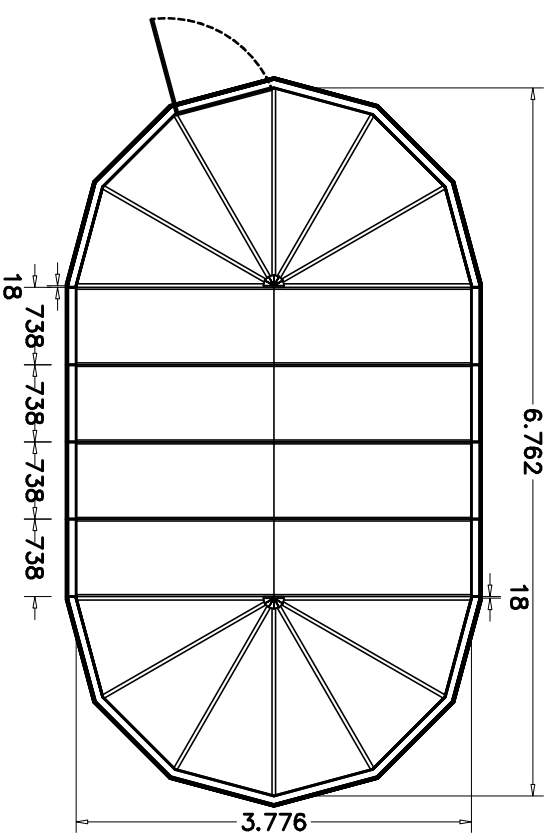
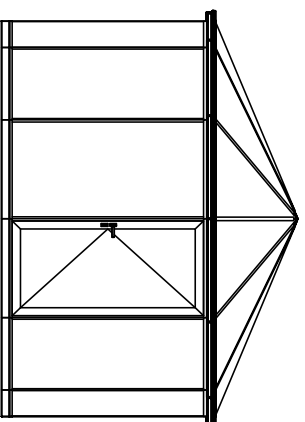
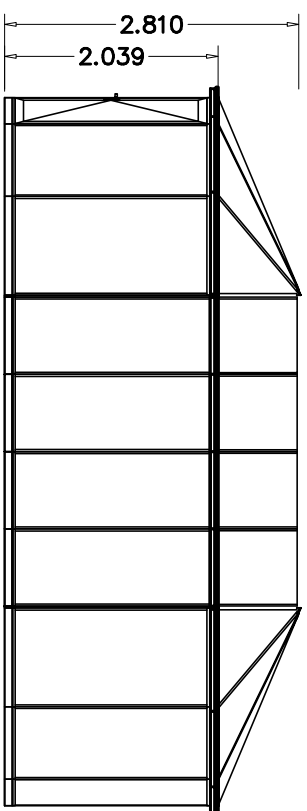
Schaal
1:50



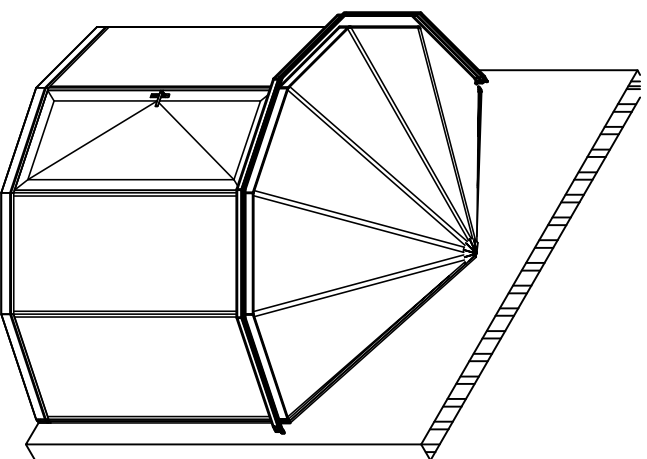
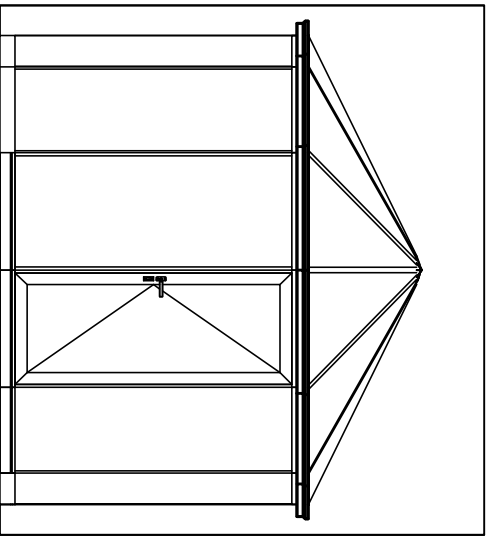
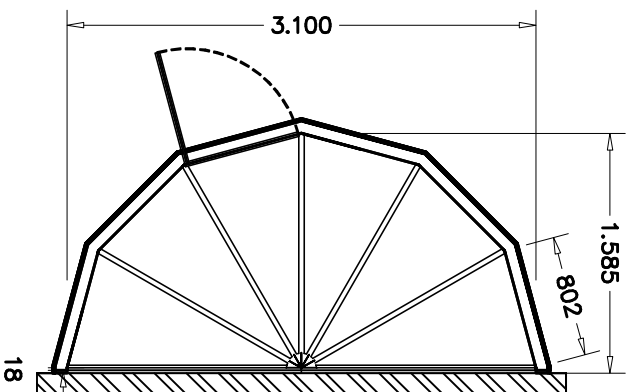
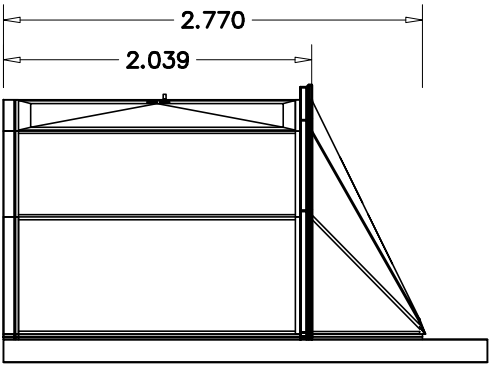
Carrousel A dia. 3776+2



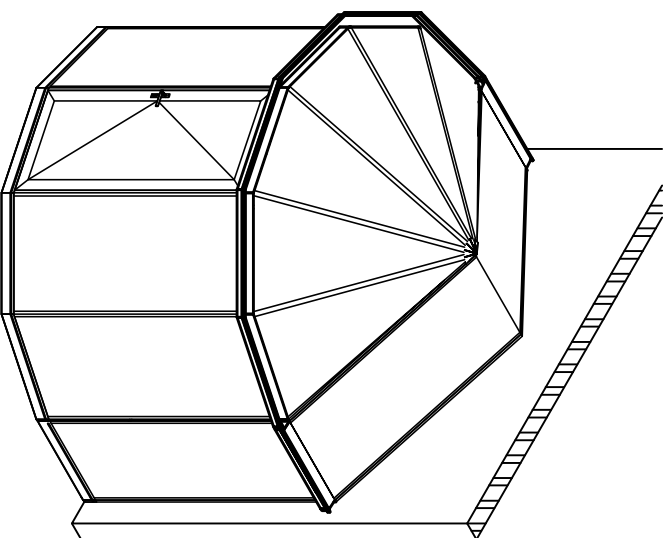
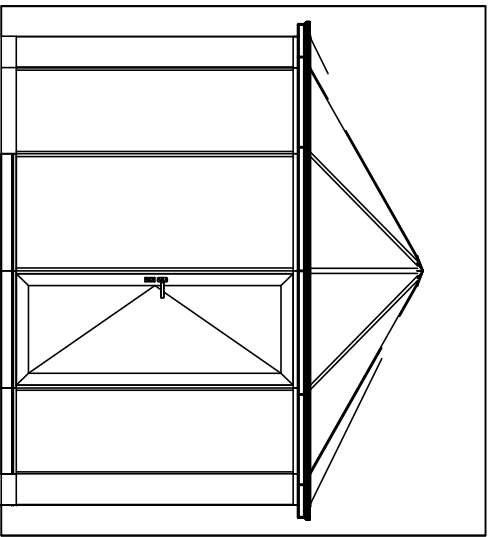
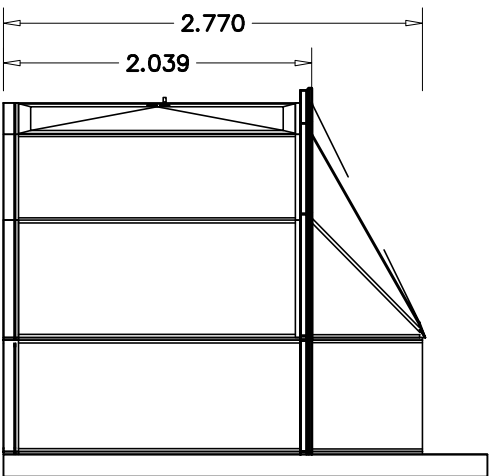
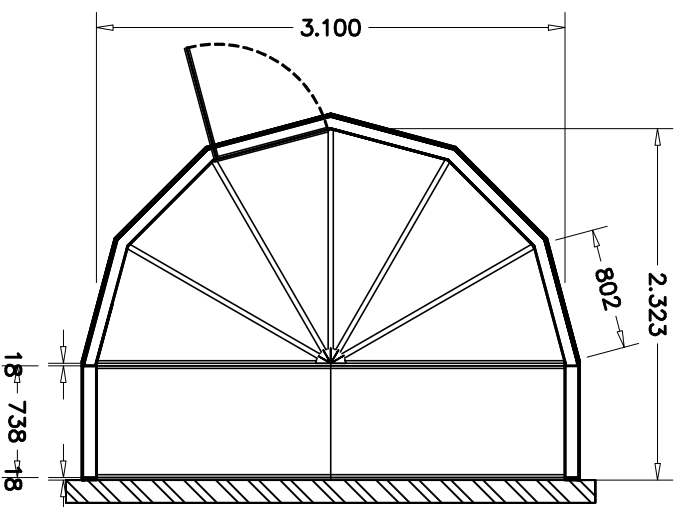
Carrousel A dia. 3776+3



Carrousel A dia.3776+4

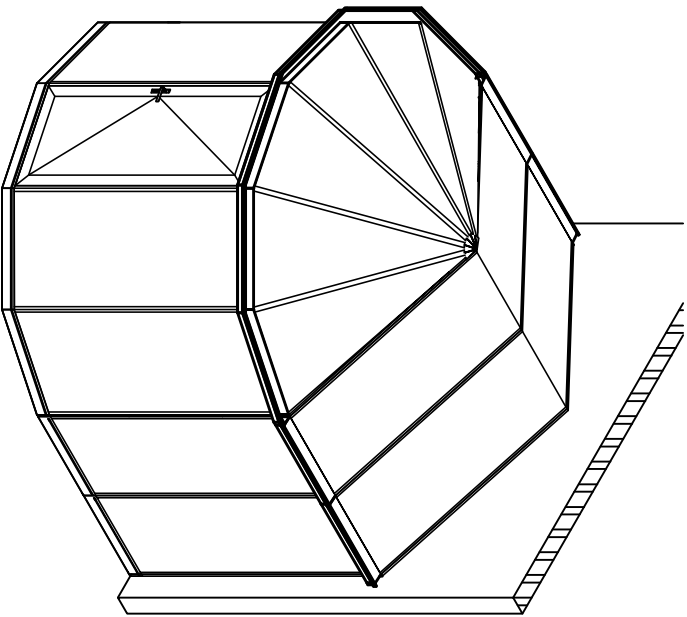
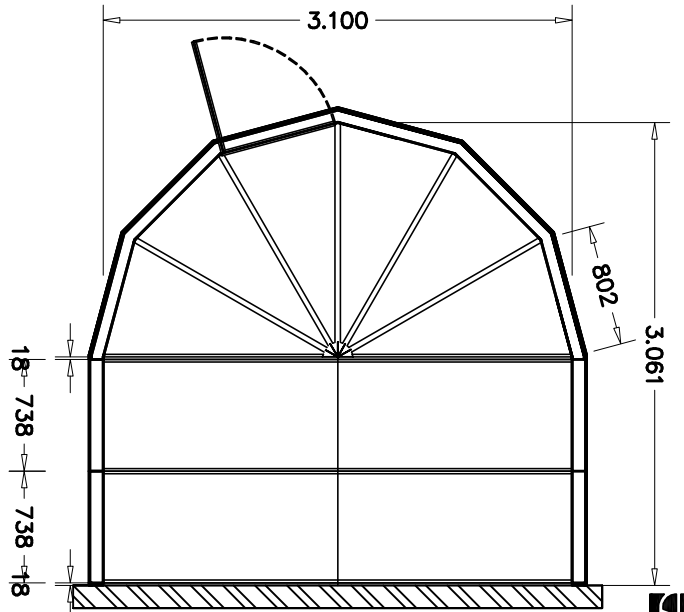
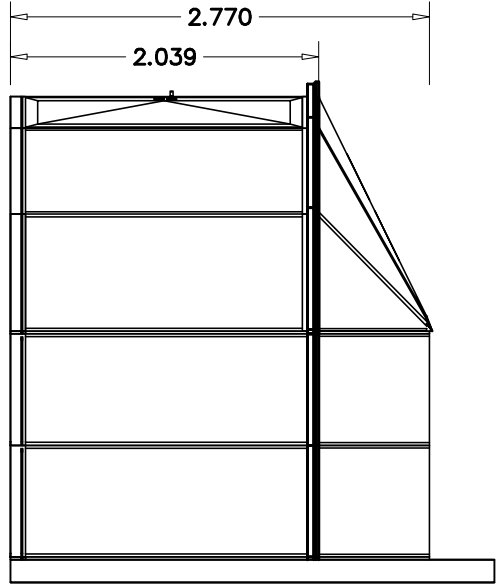
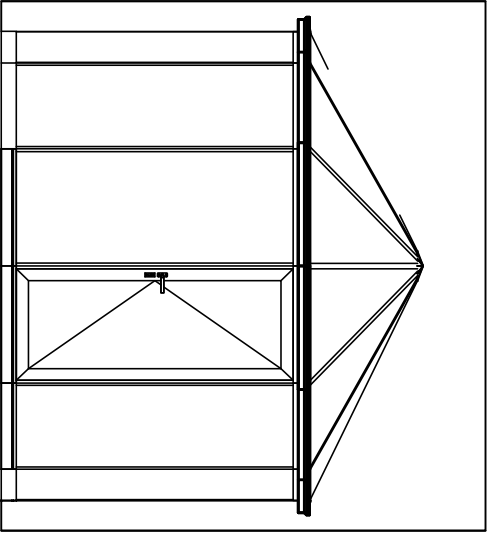


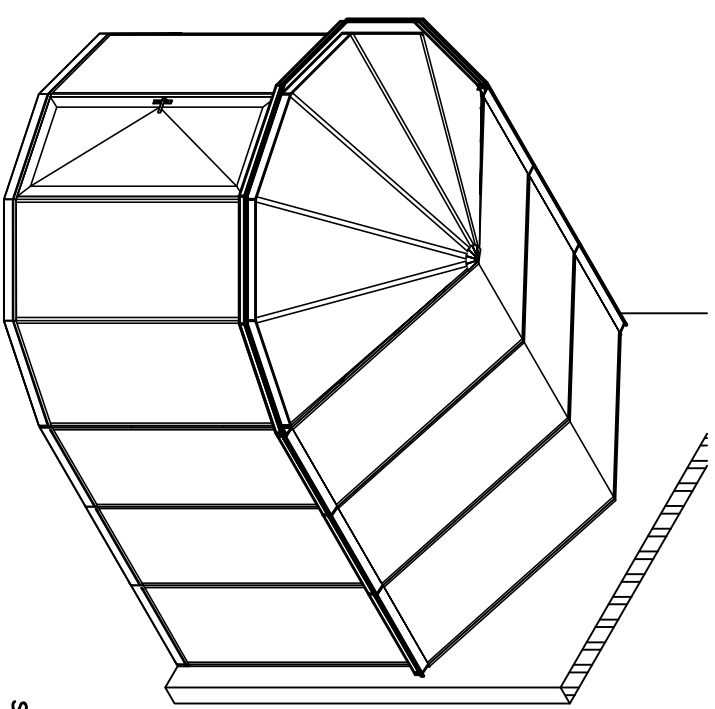
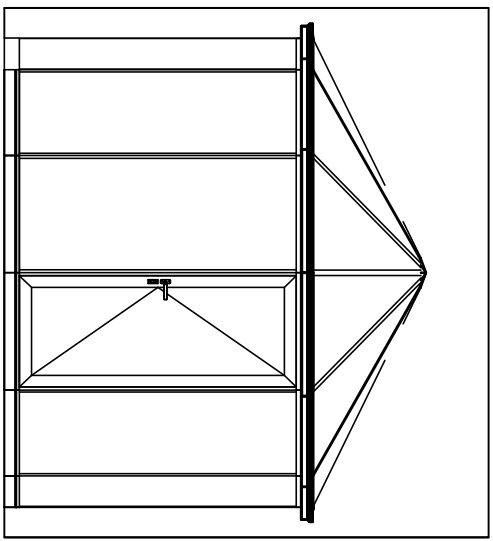
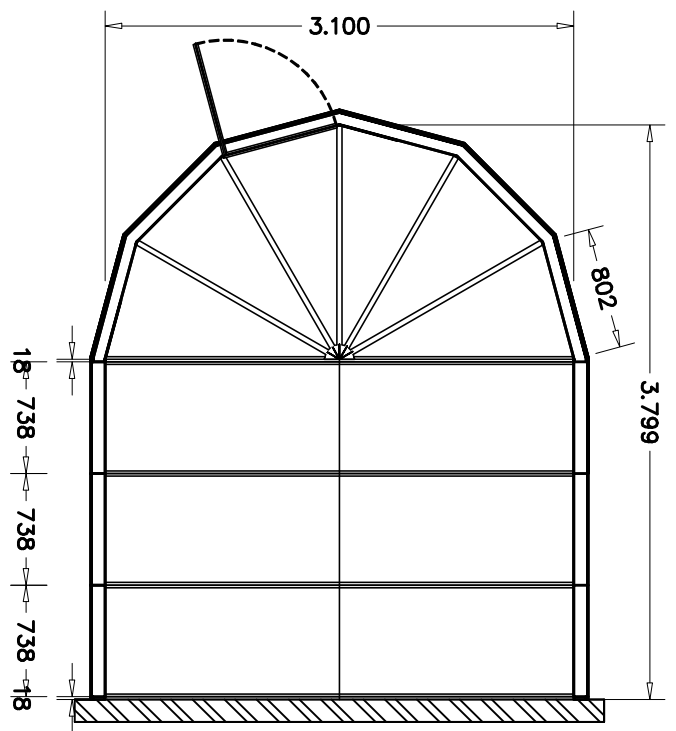
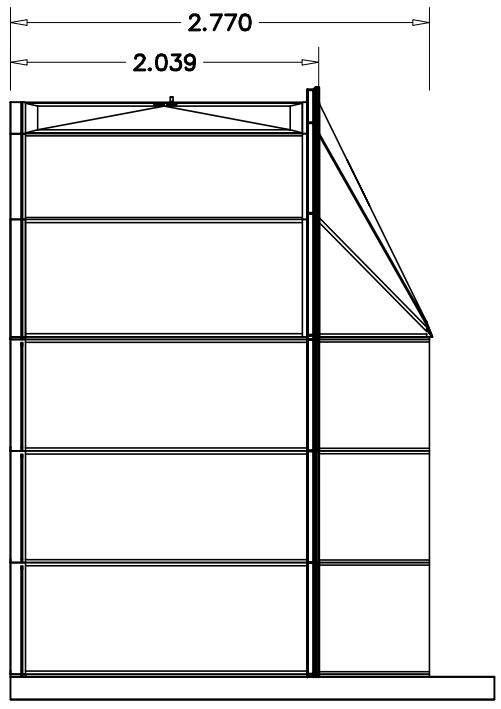
Carrousel A-C dia.3100



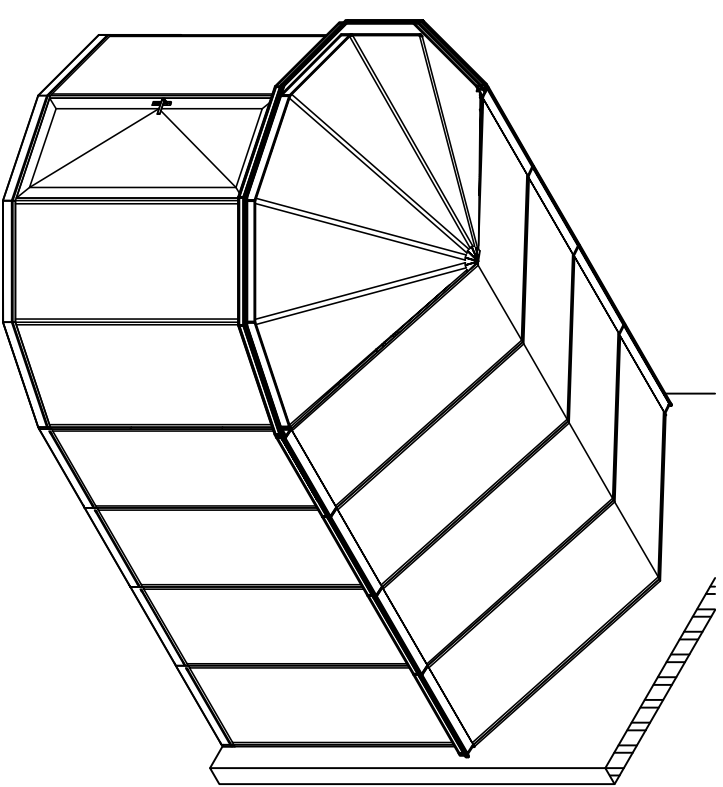
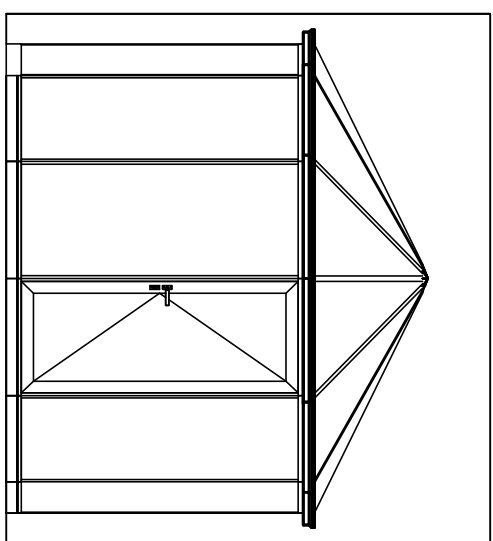
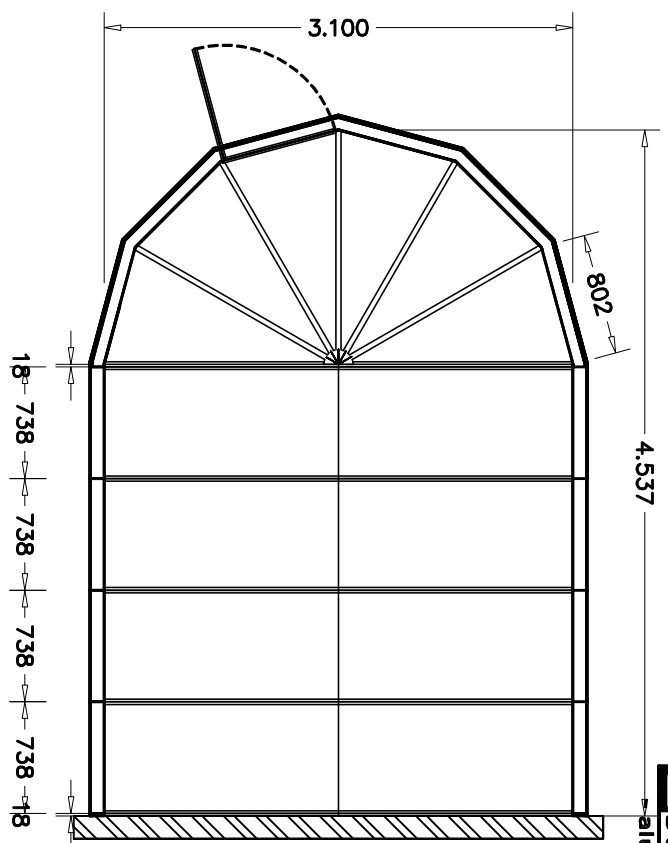
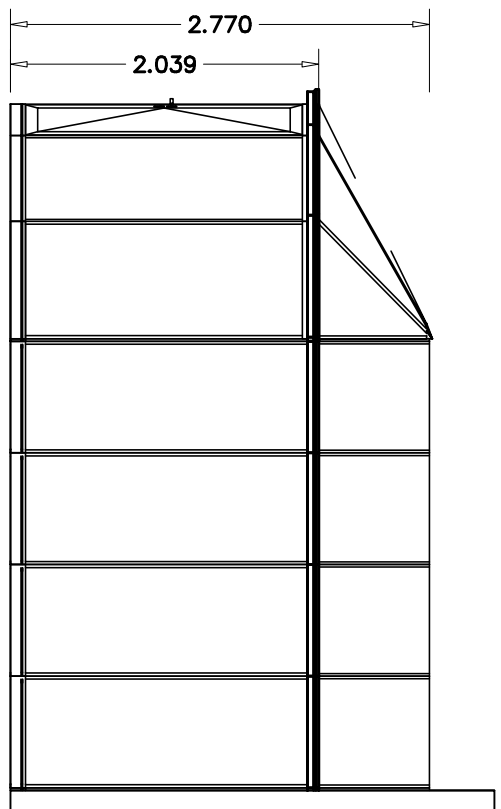
Carrousel A-C dia.3100+1

Carrousel A-C dia. 3100+2



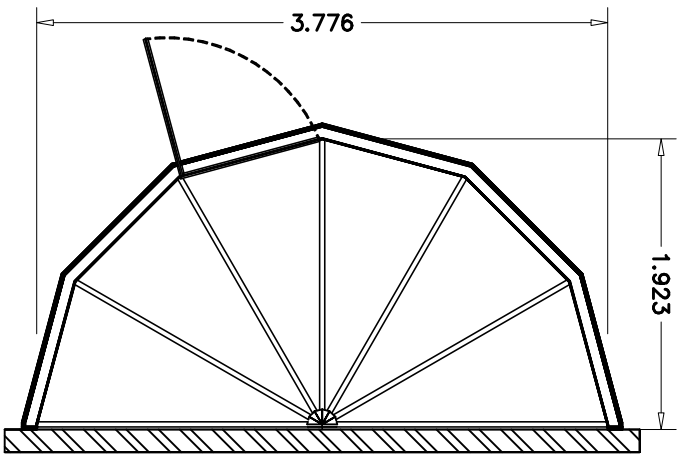
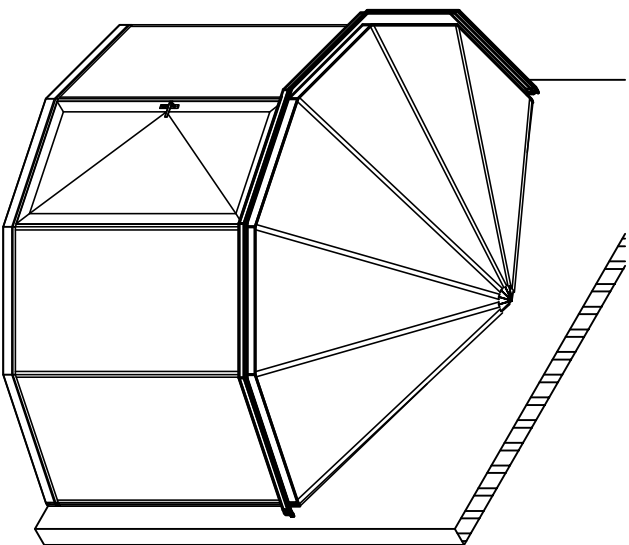
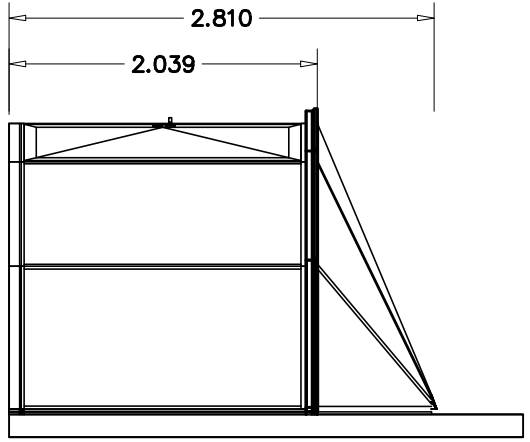
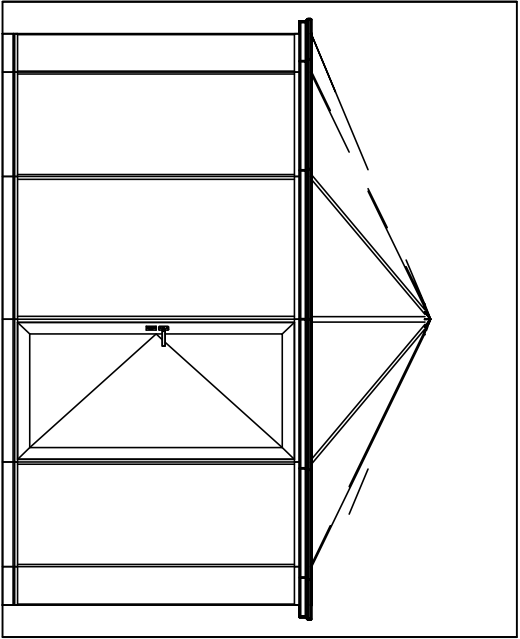


Carrousel A-C dia.3100+3

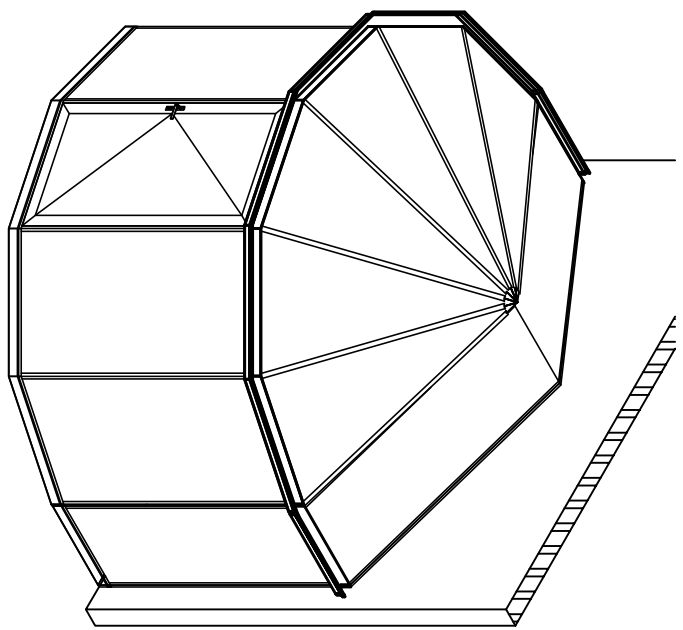
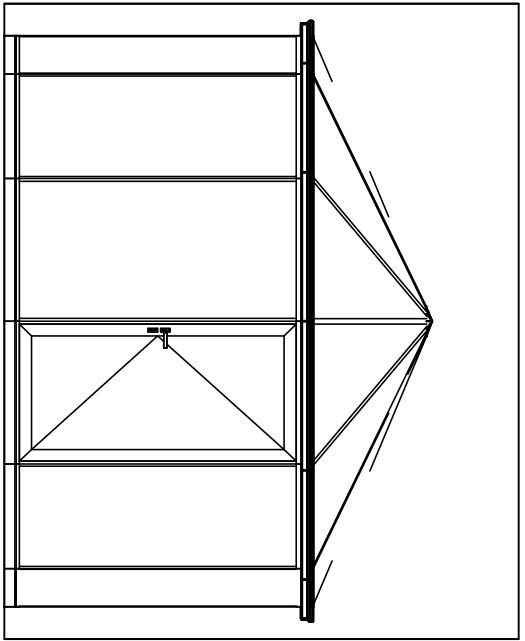
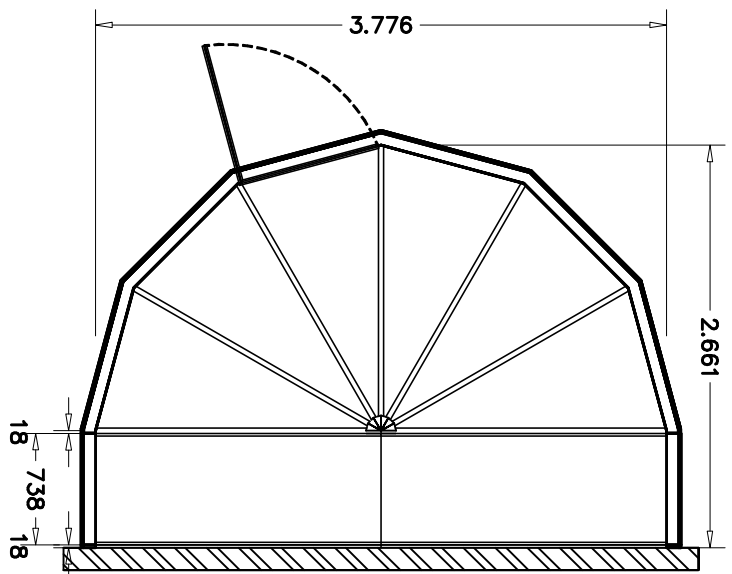
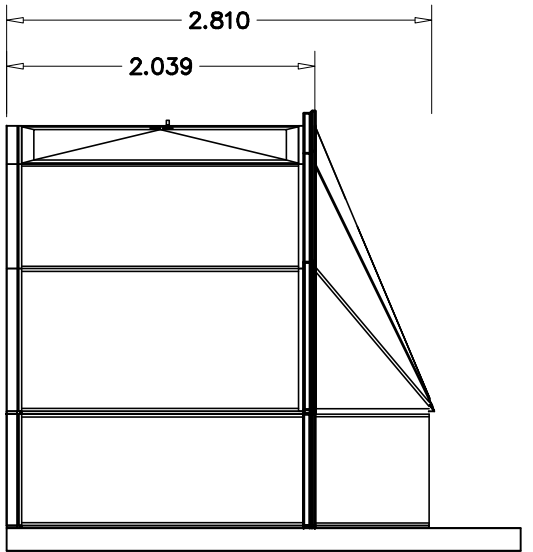


Carrousel A-C dia. 3100+4

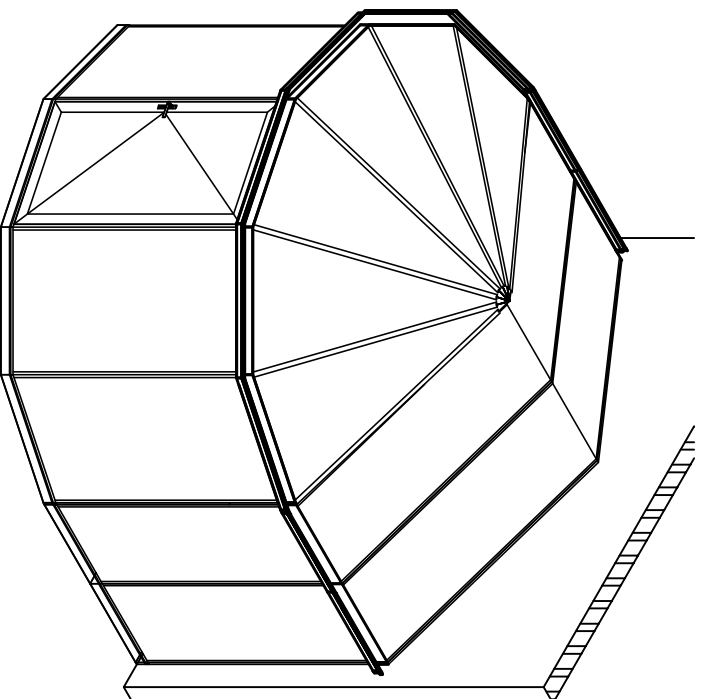
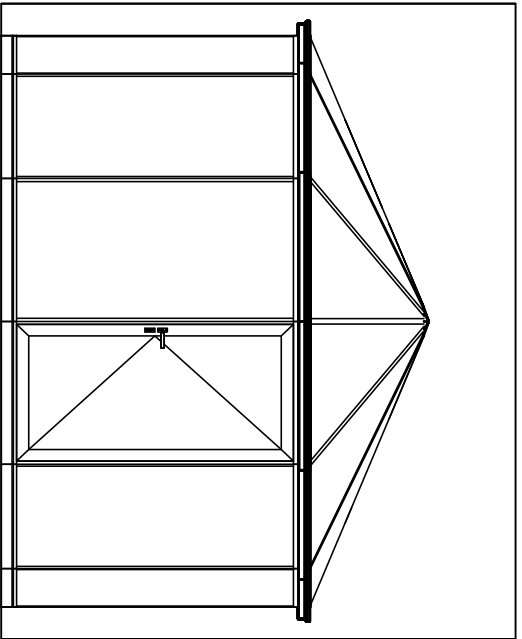
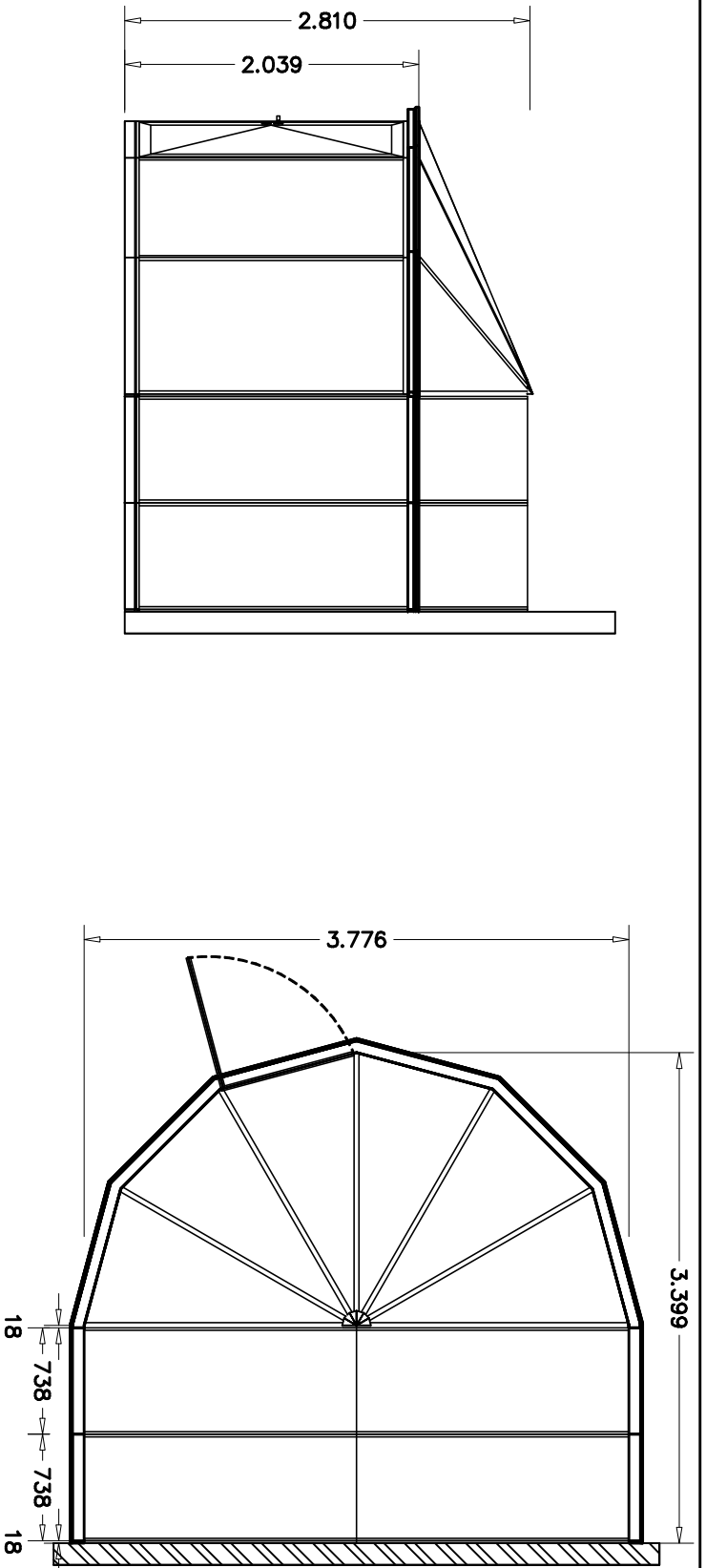
Carrousel A-C dia. 3776



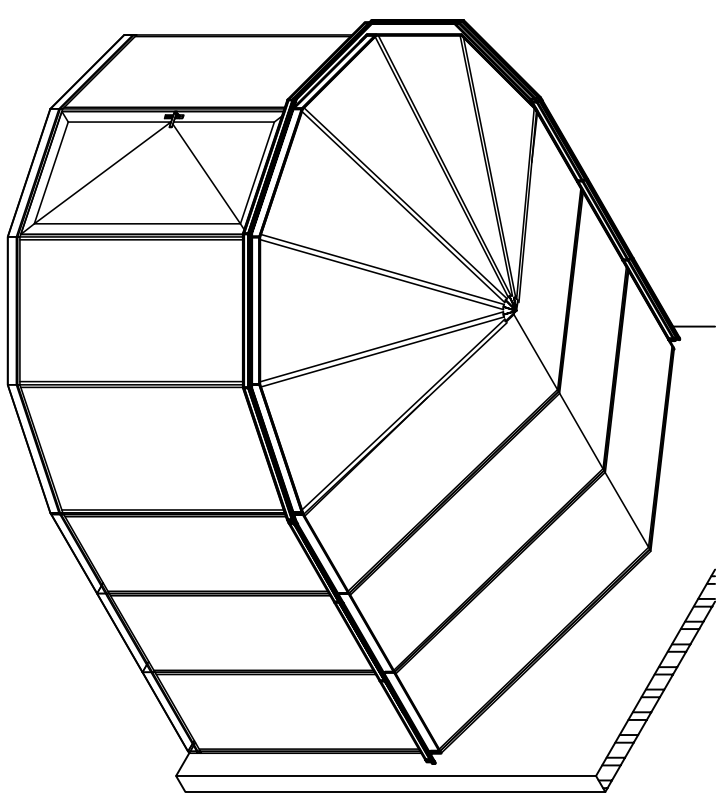
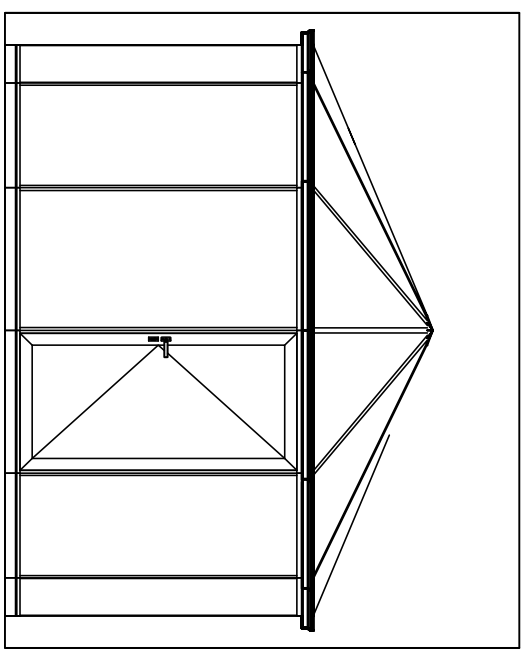
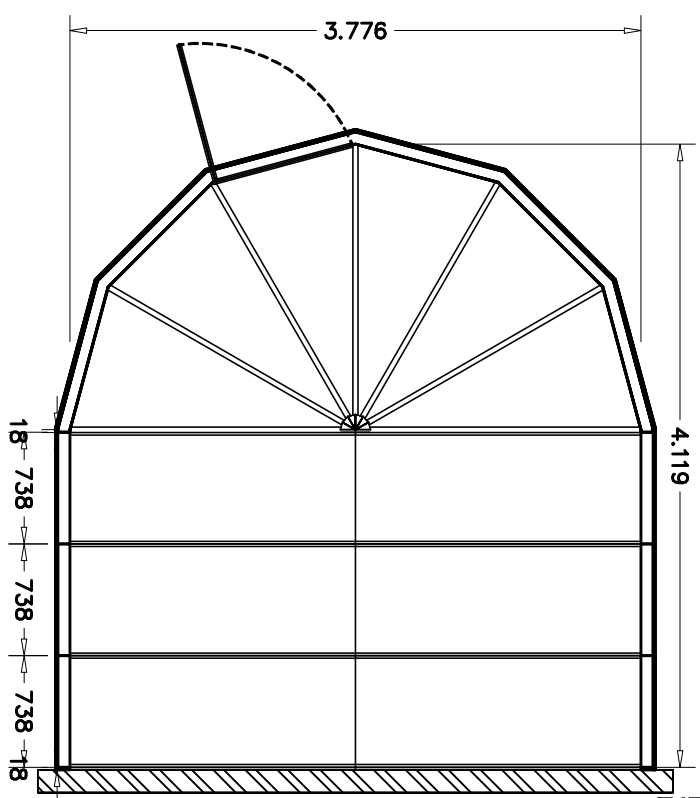
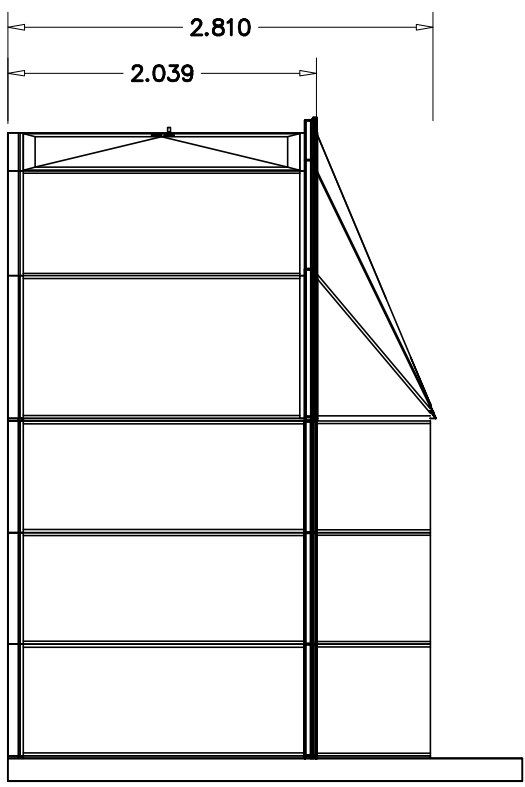
Schaal
1:50



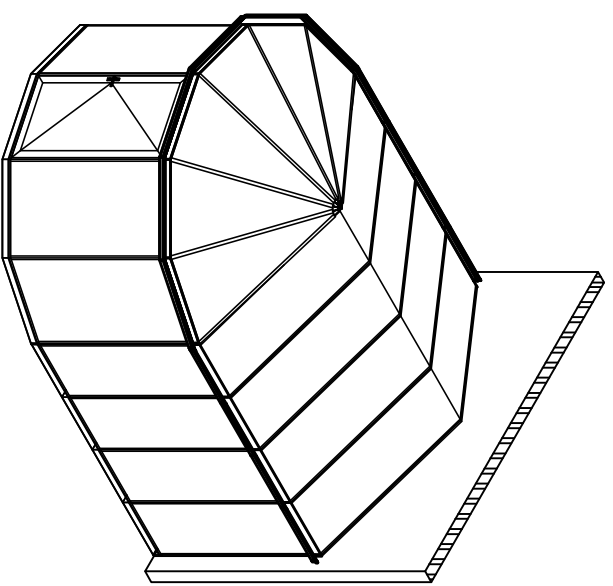
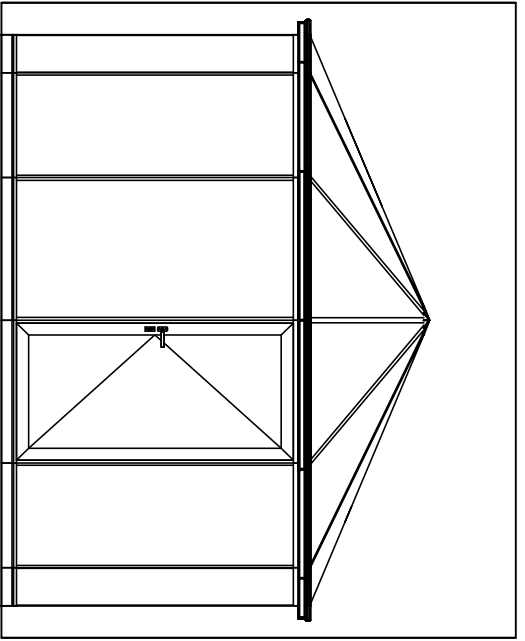
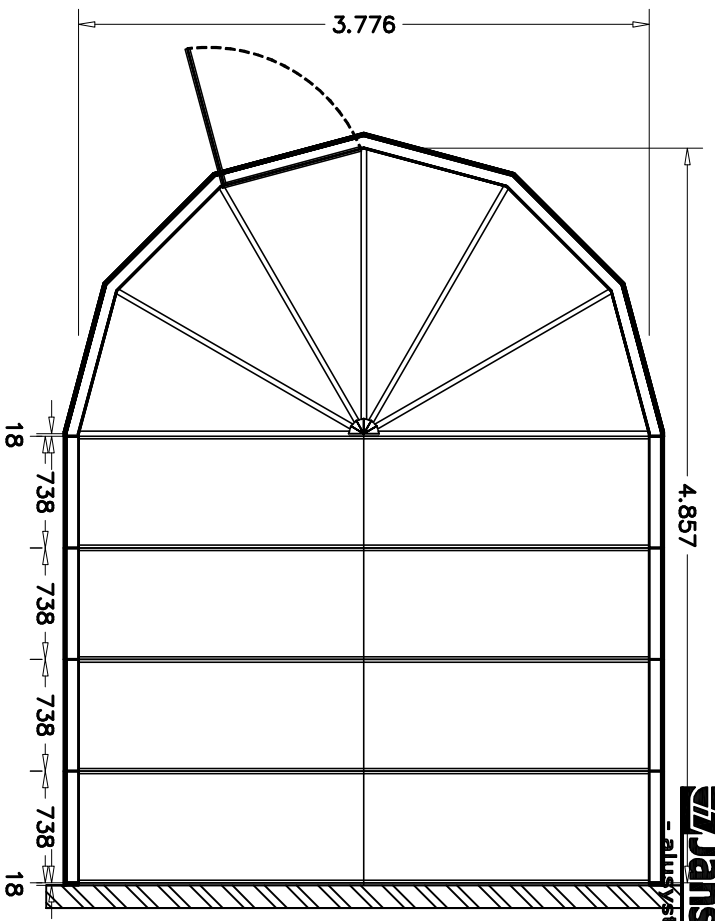
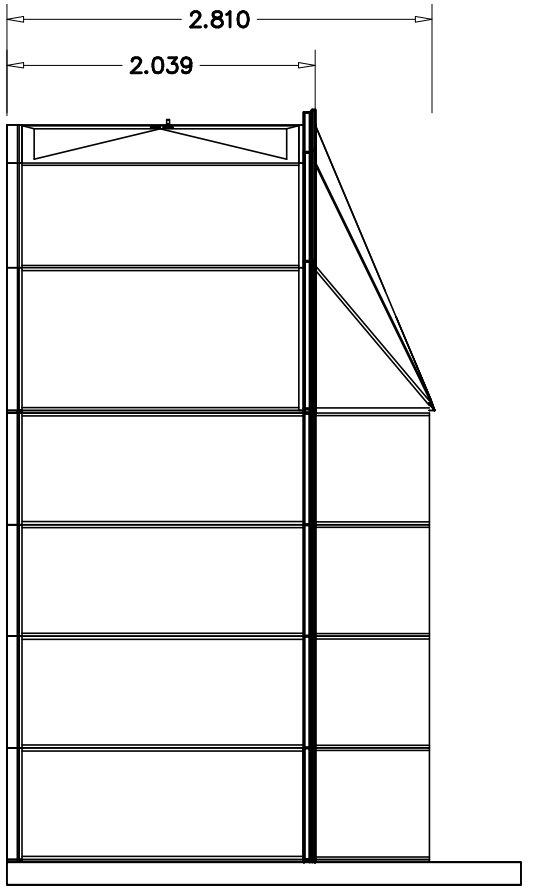
Carrousel A-C dia.3776+1



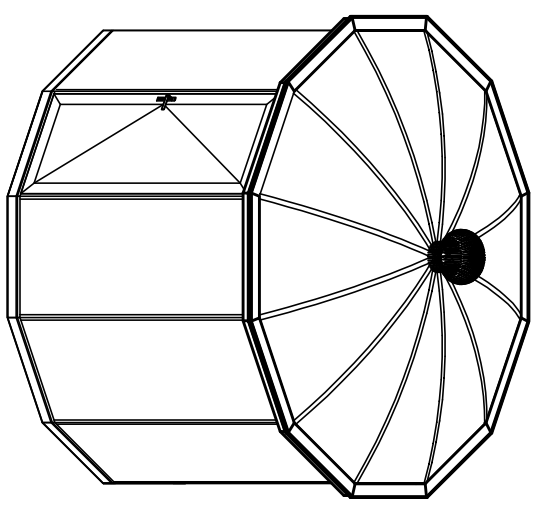
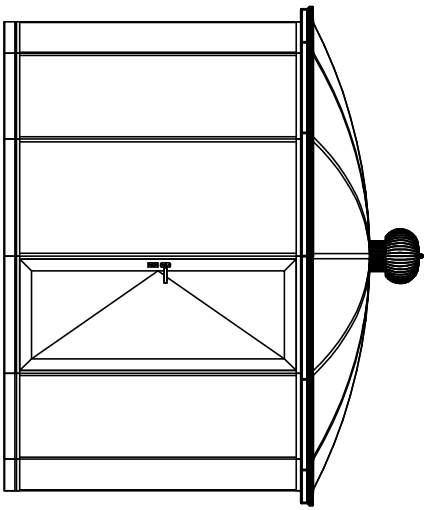
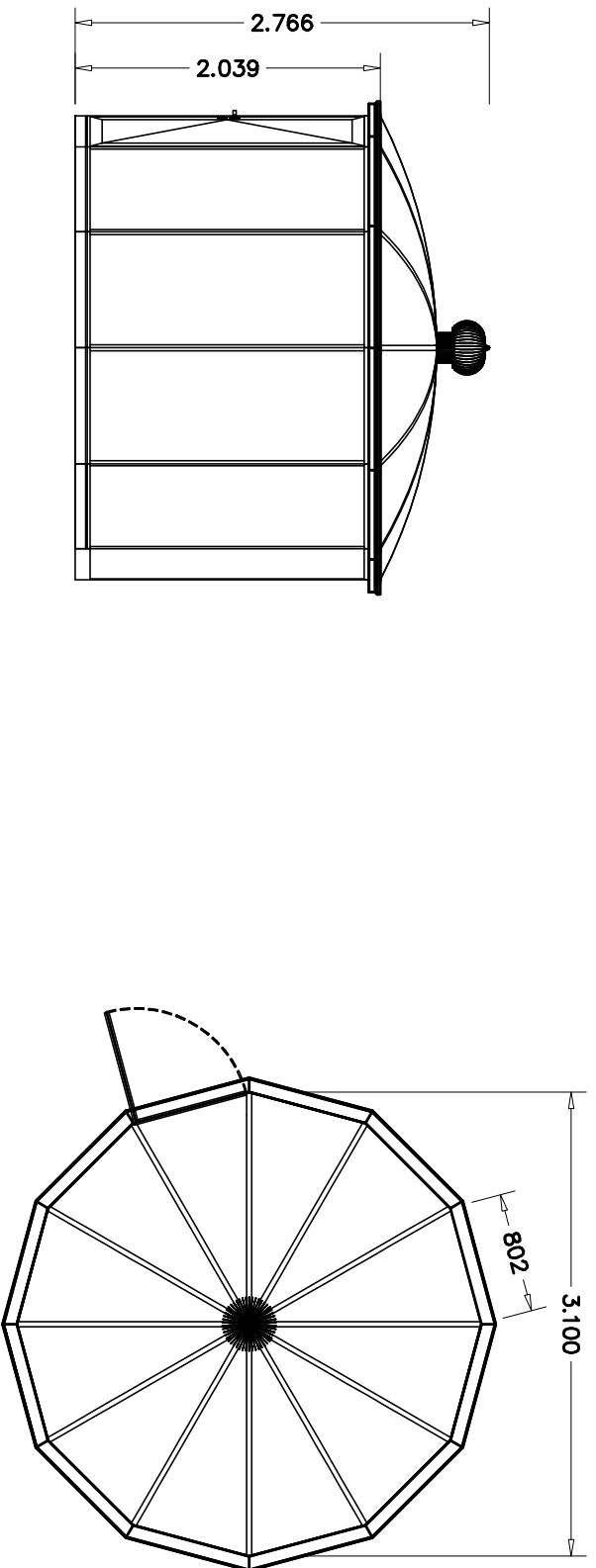
Carrousel A-C dia.3776+2



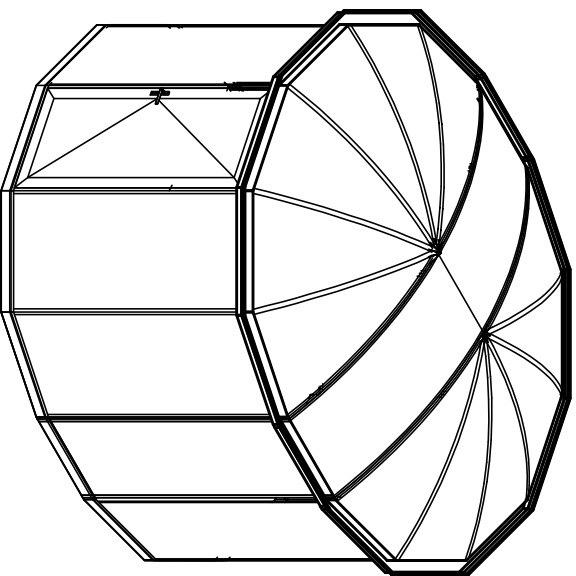
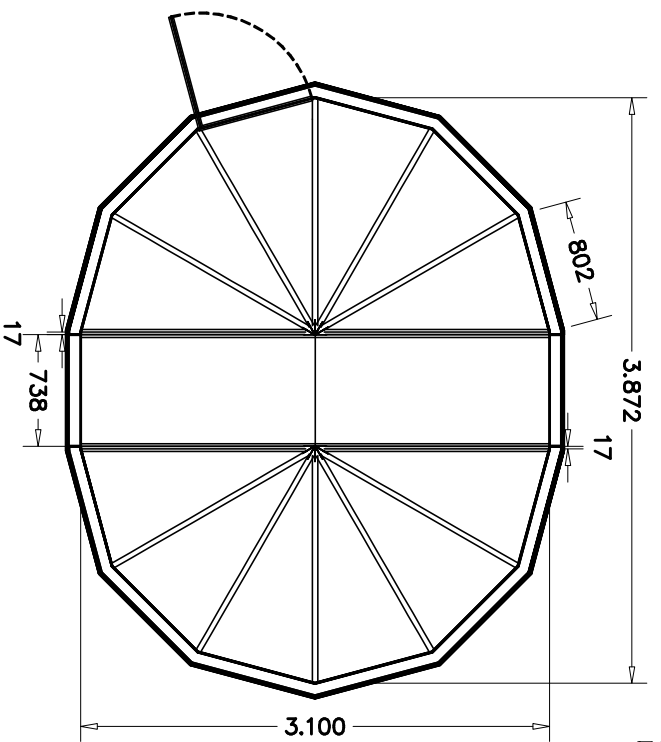
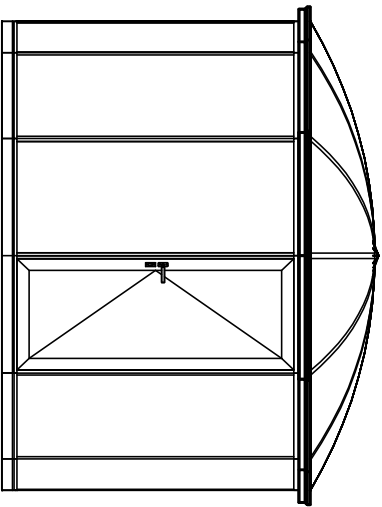
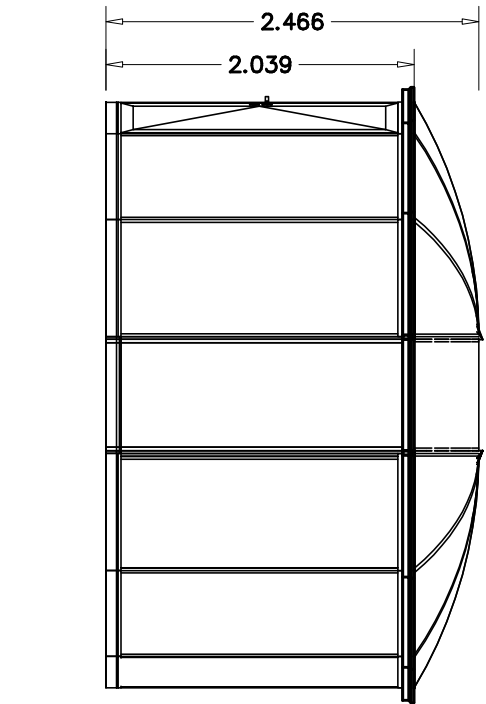
Carrousel A-C dia.3776+3



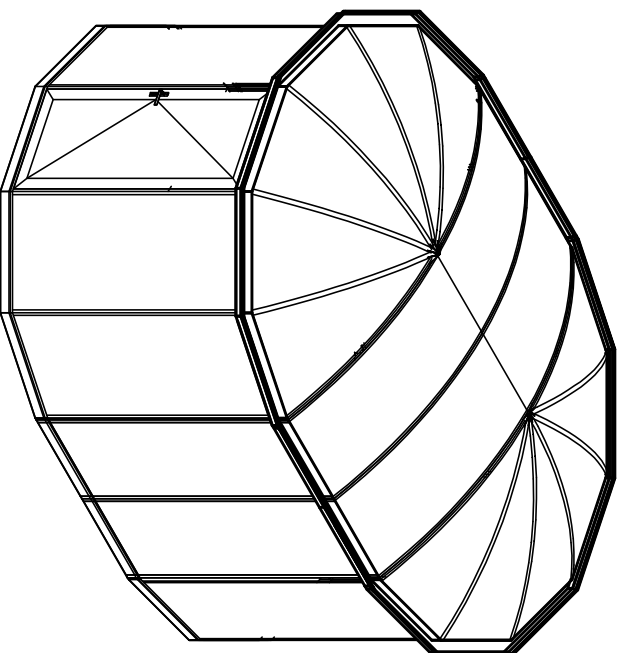
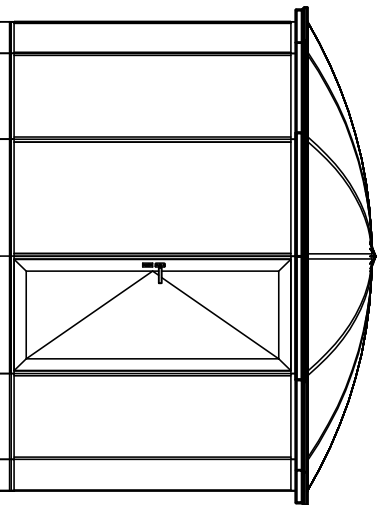
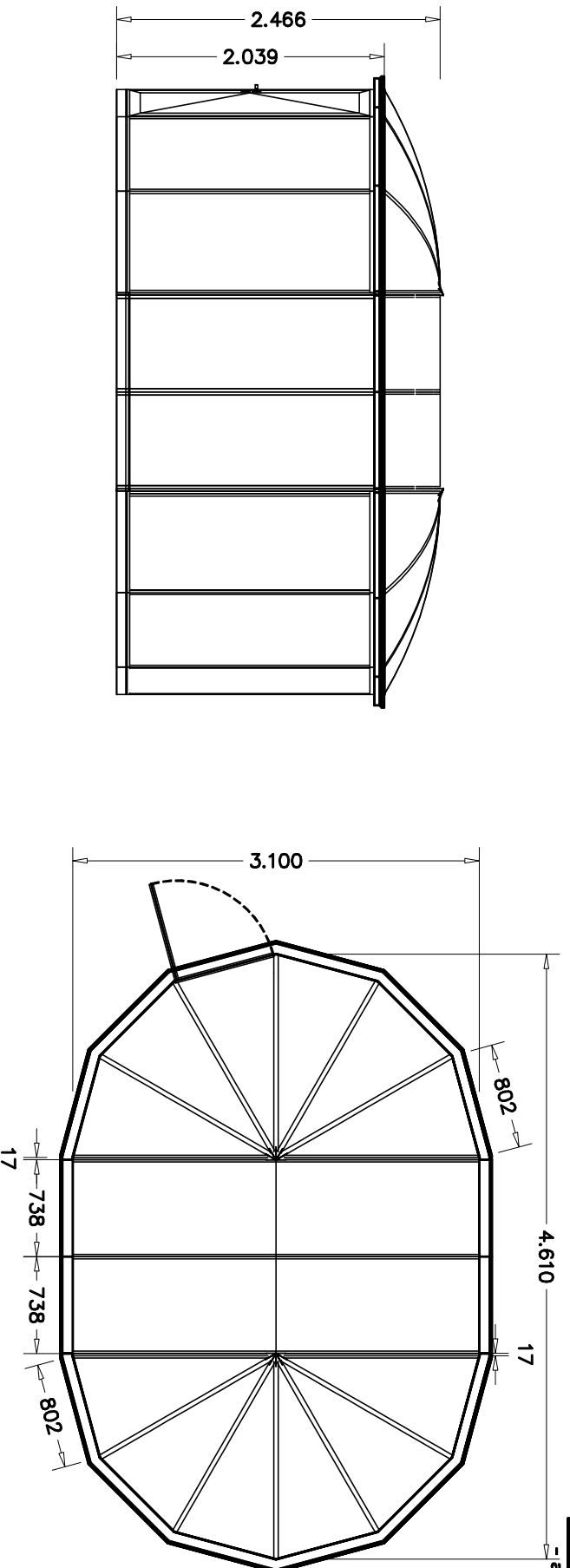
Carrousel A-C dia. 3776+4



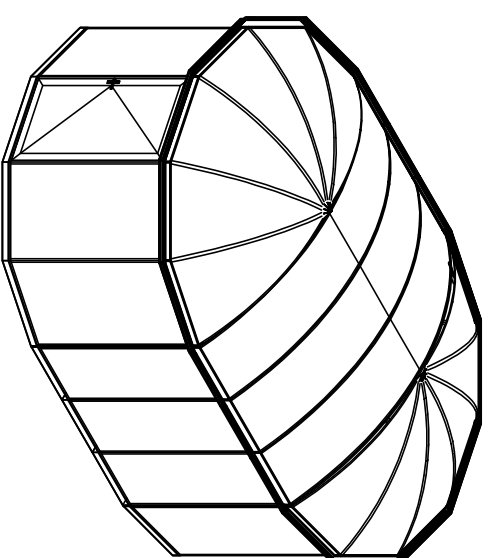
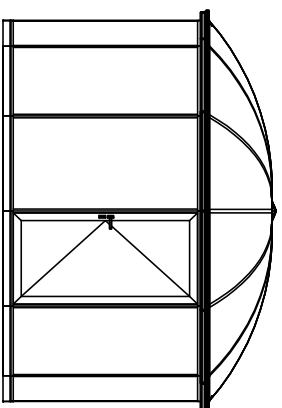
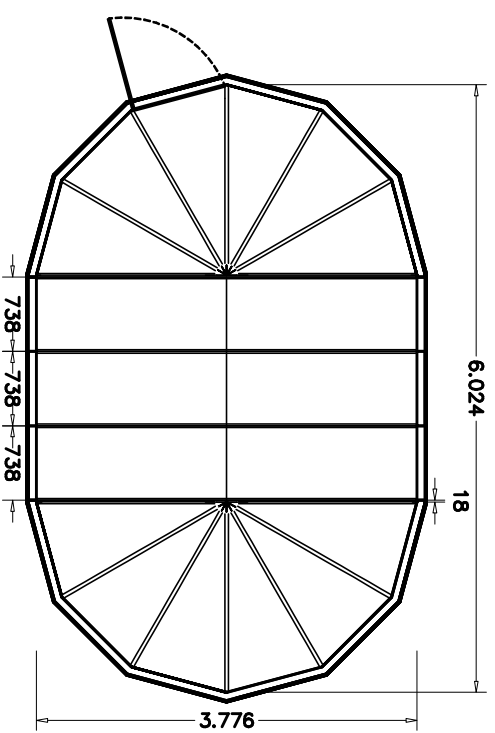
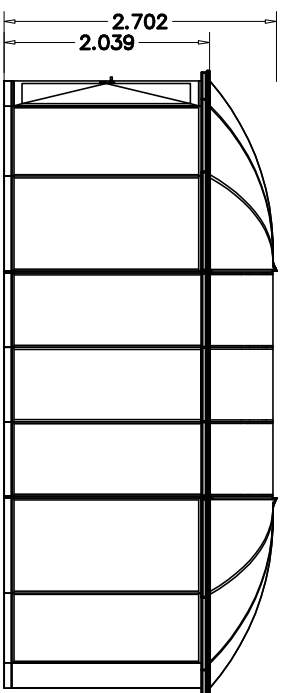
Carrousel B dia. 3100



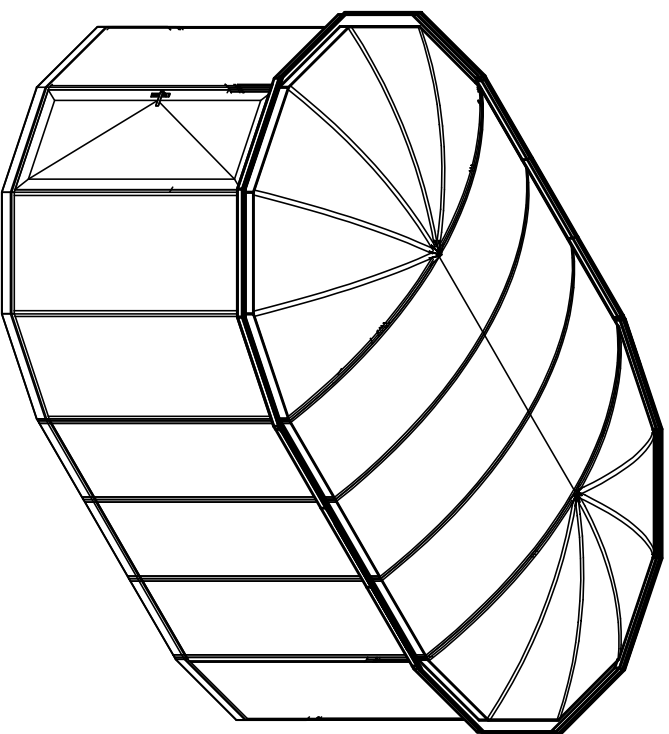
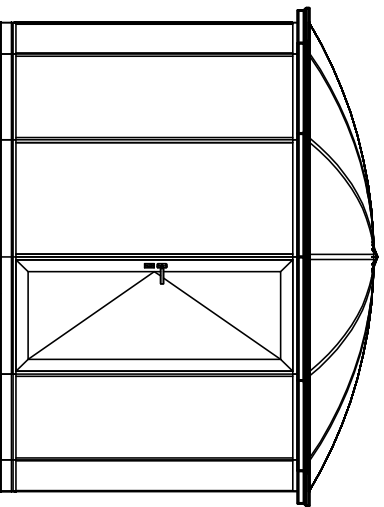
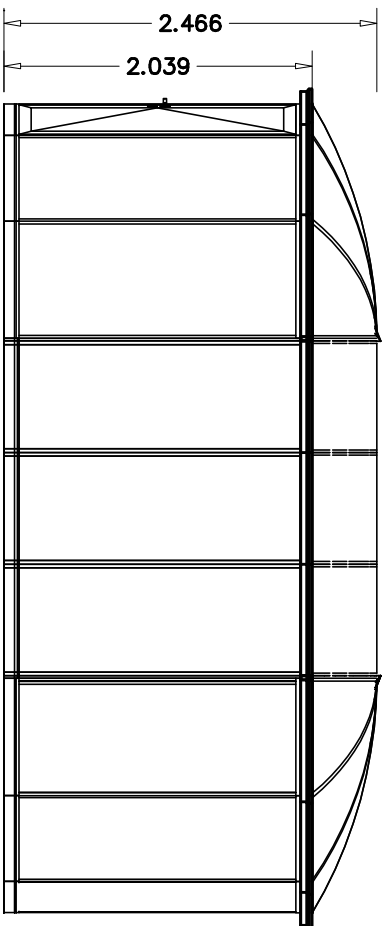
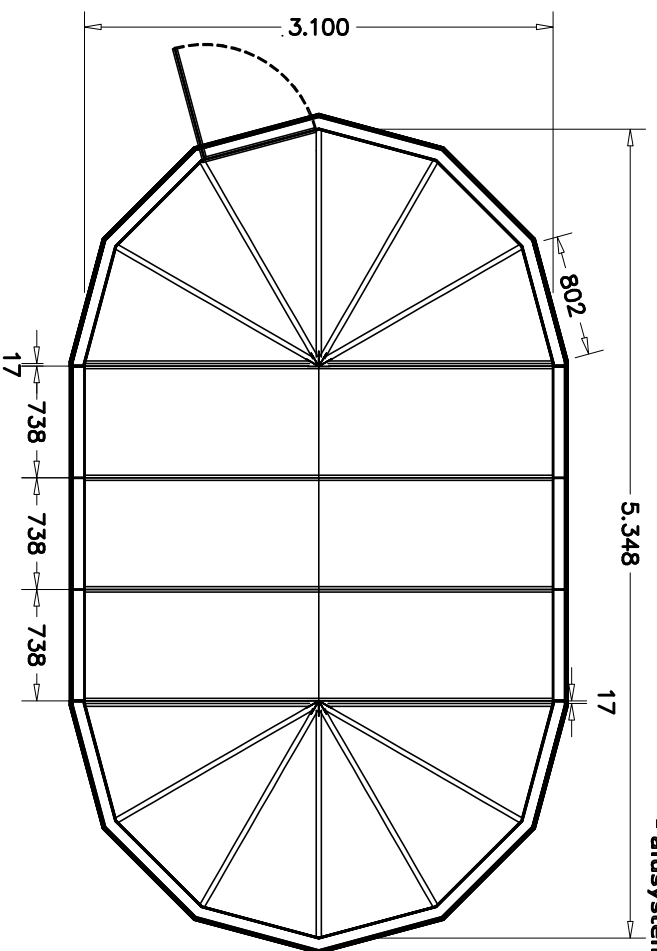
Carrousel B dia. 3100+1



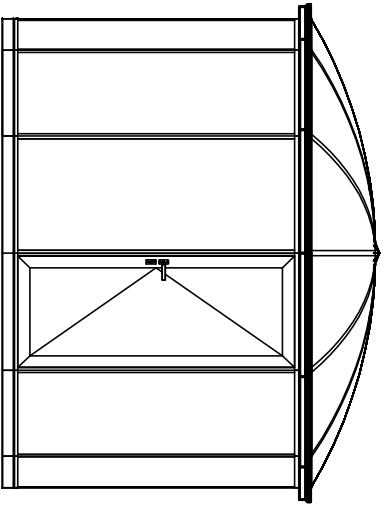
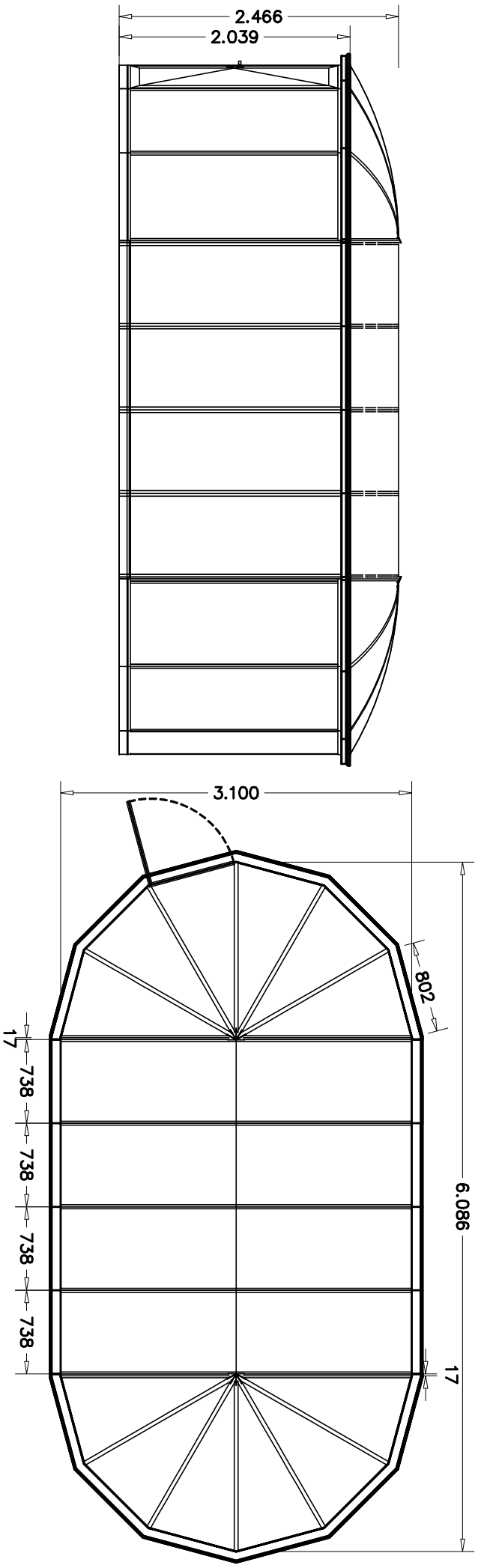
Carrousel B dia.3100+2



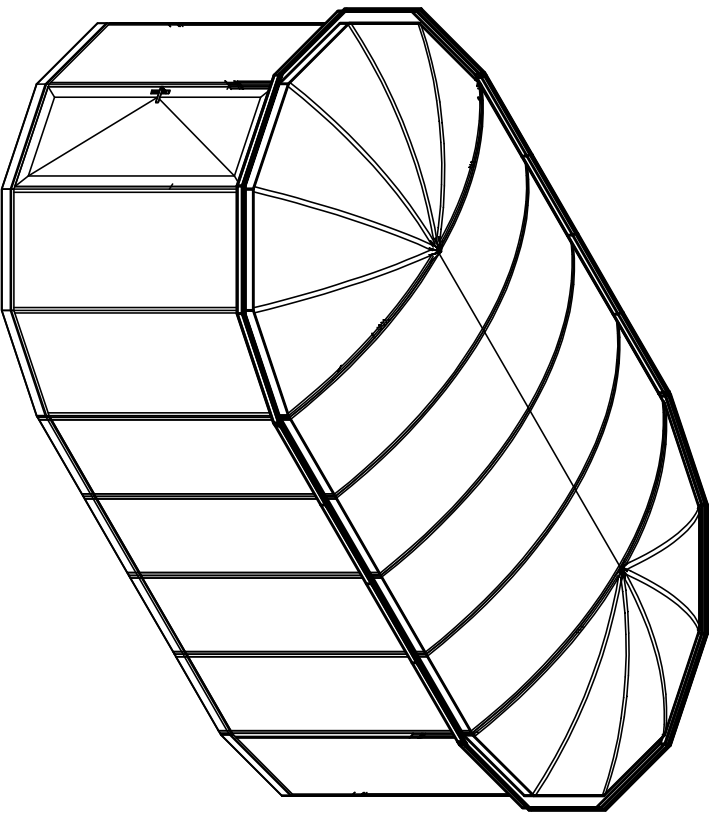
Carrousel B dia.3776+3

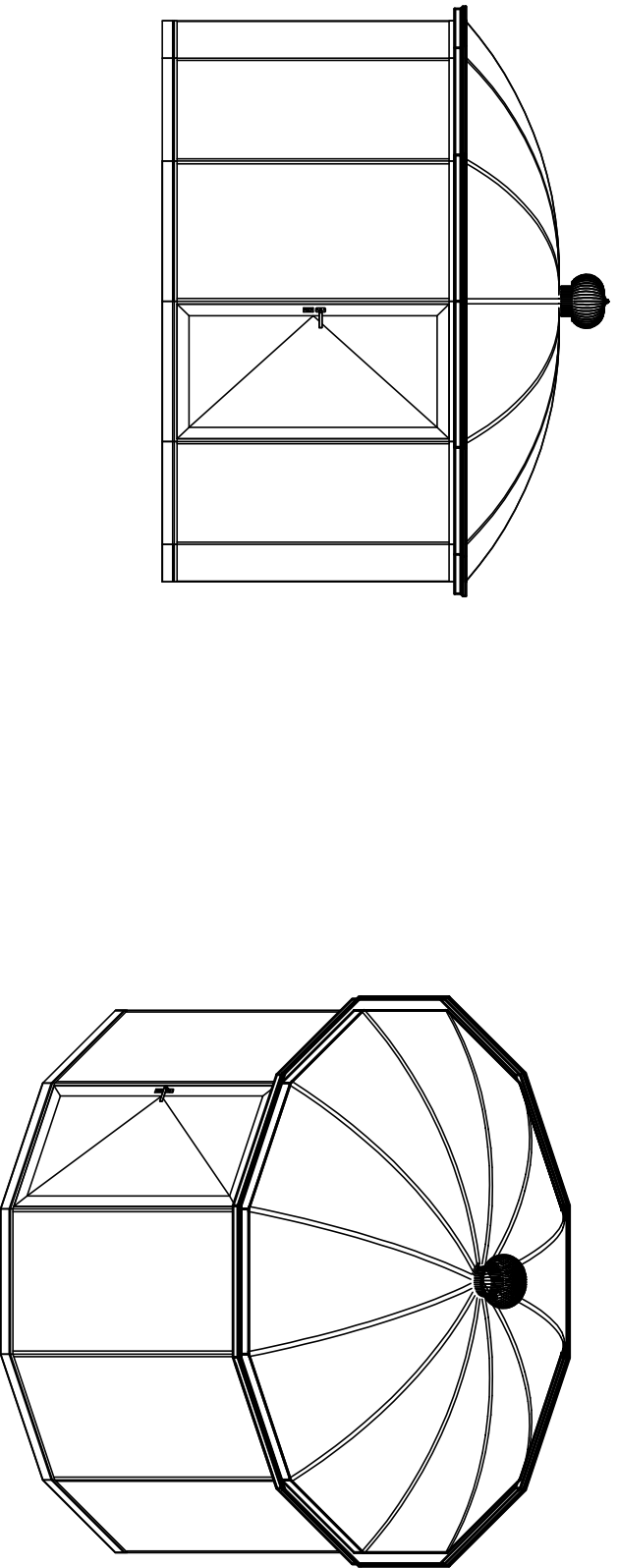
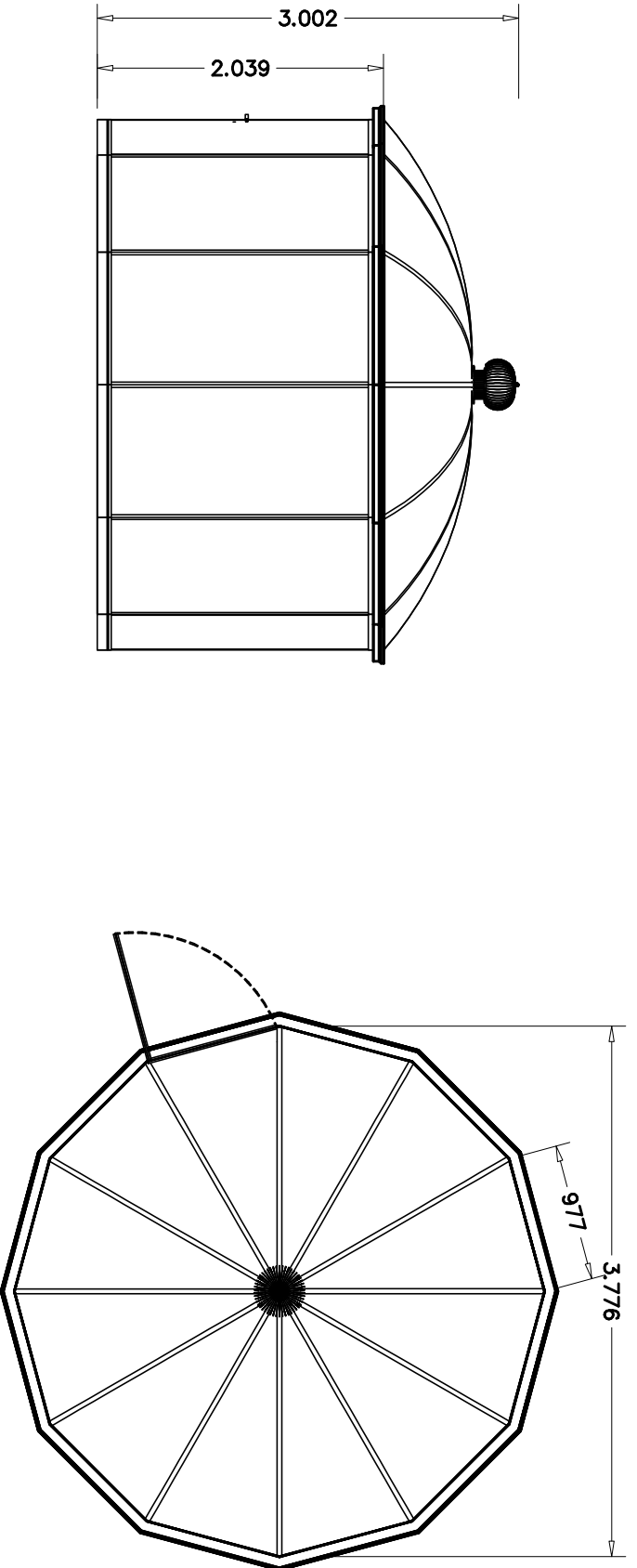


Carrousel B dia. 3100+3

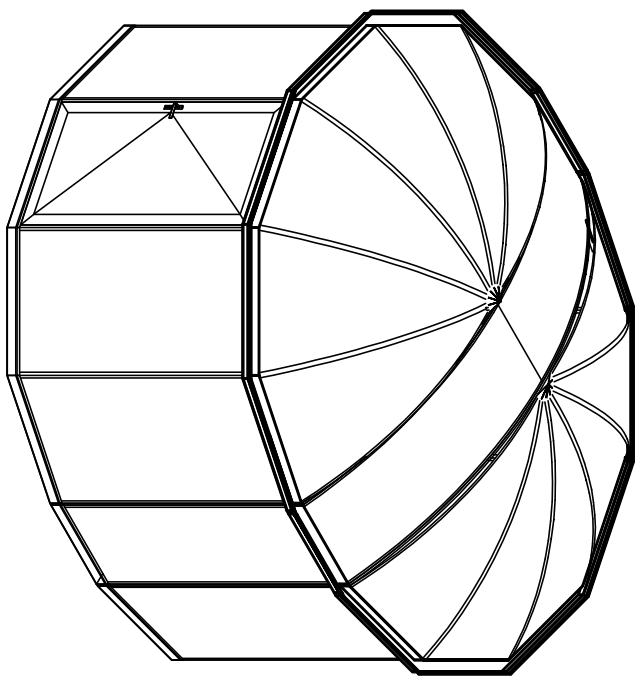
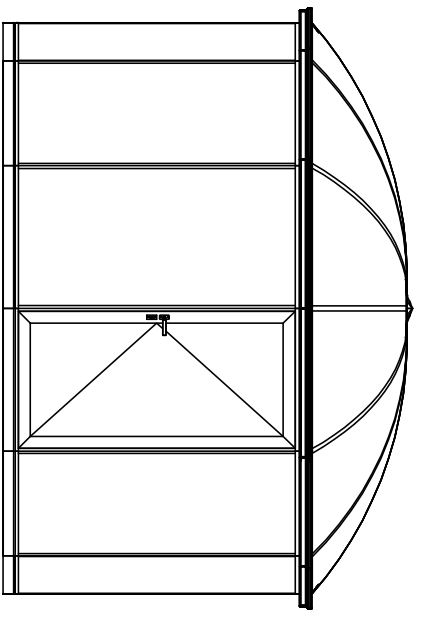
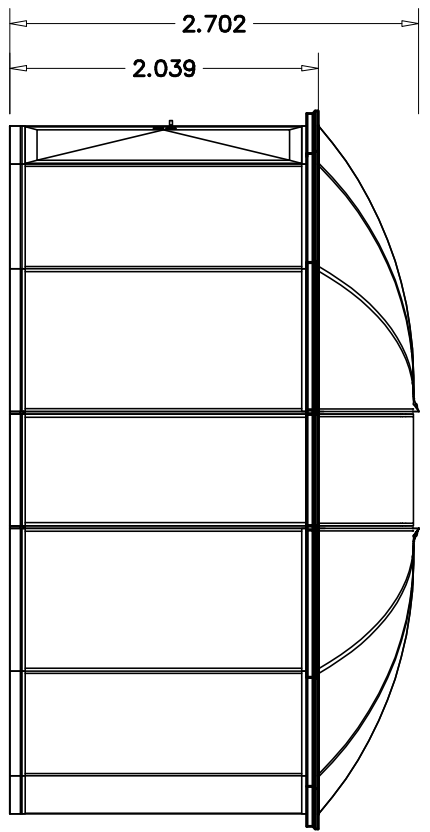
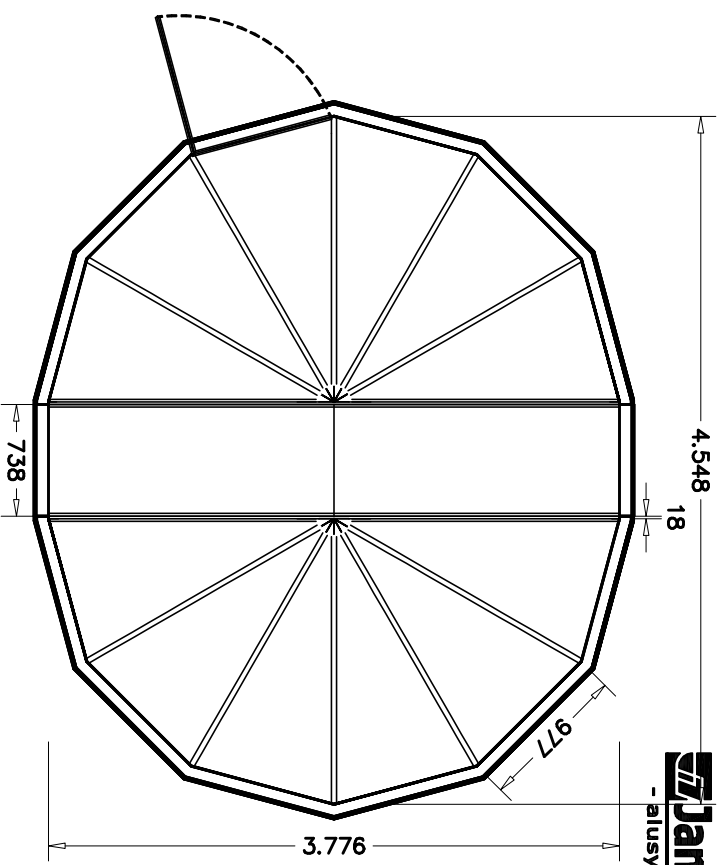


Carrousel B dia. 3100+4

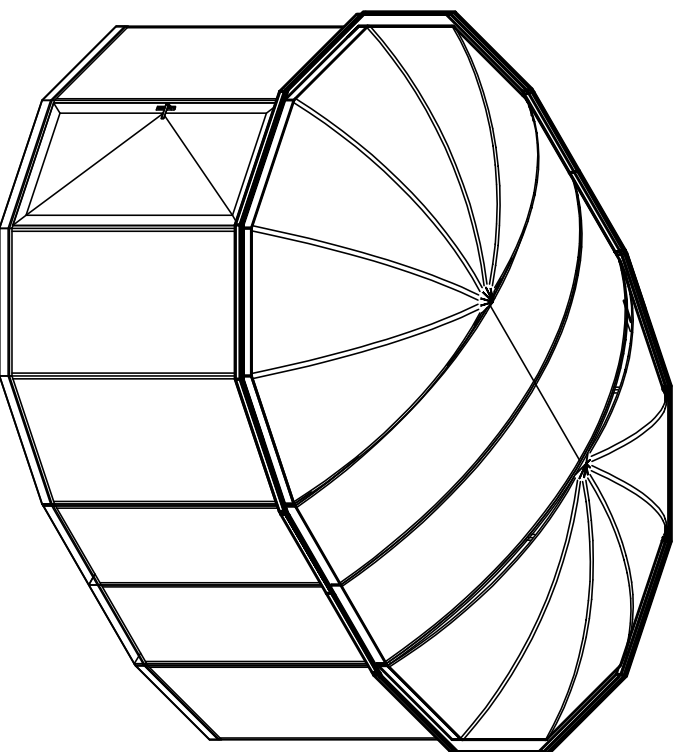
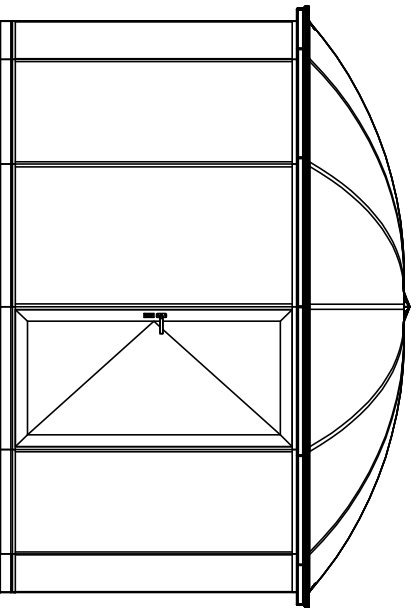
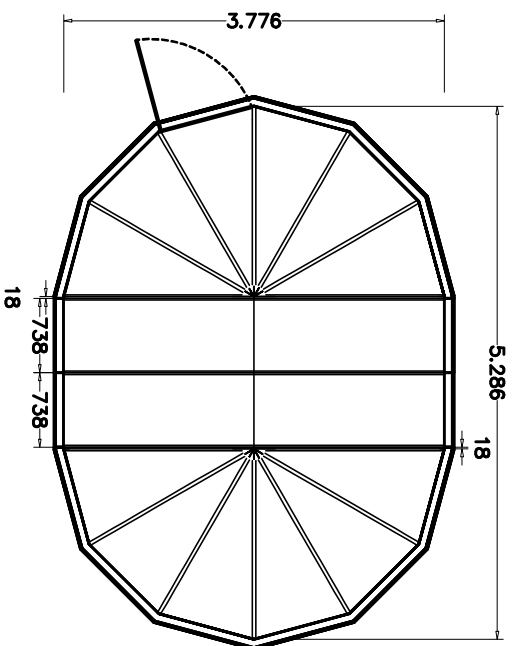
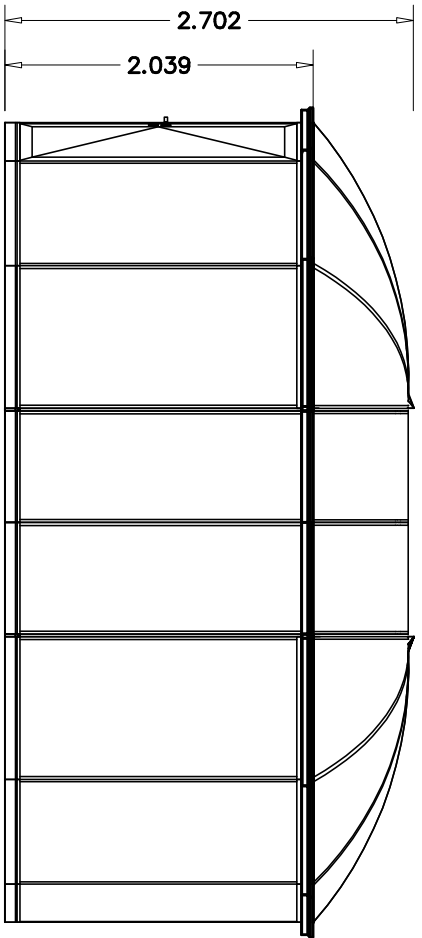




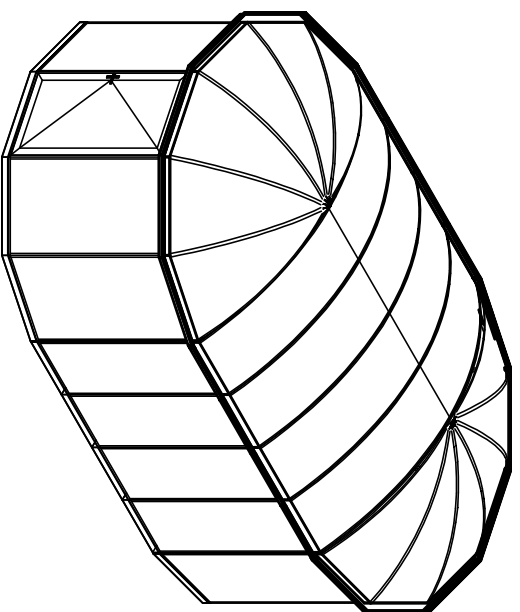
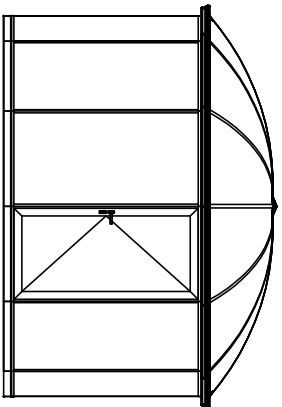
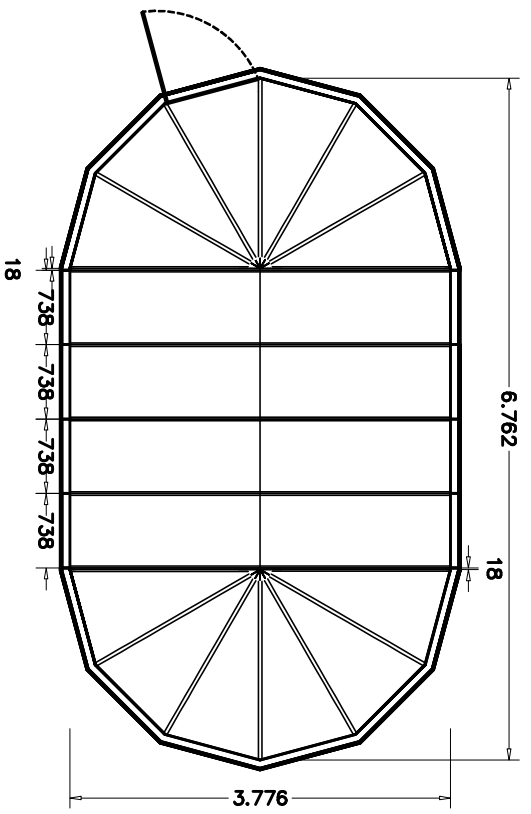
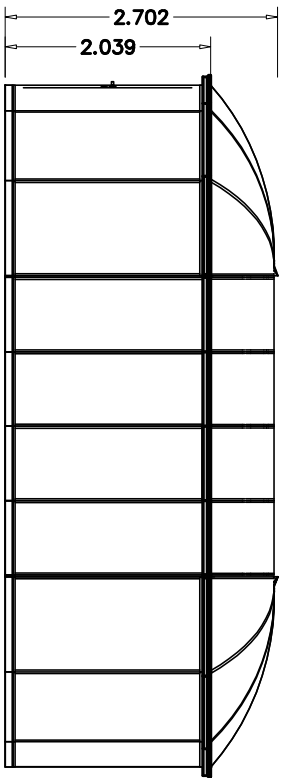
Carrousel B dia.3776



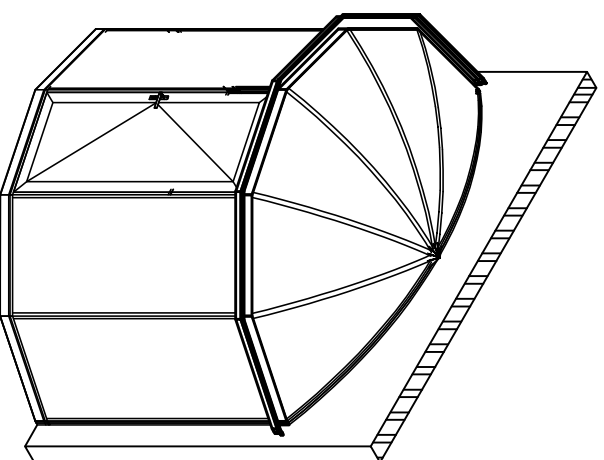
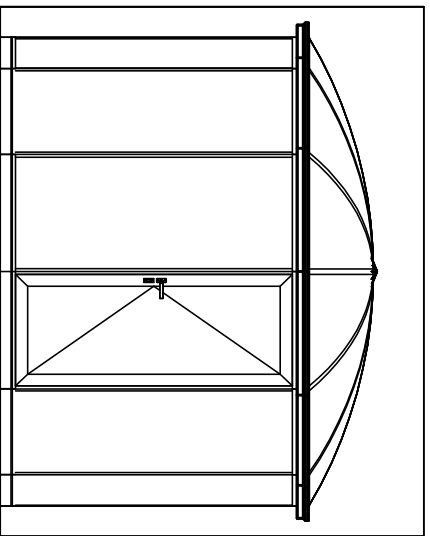
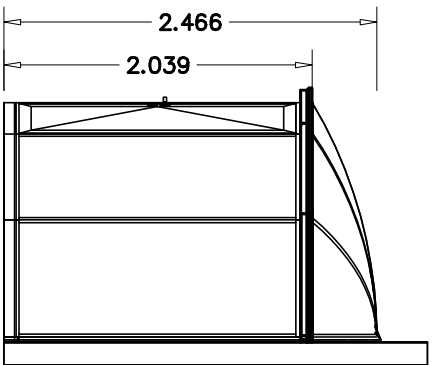
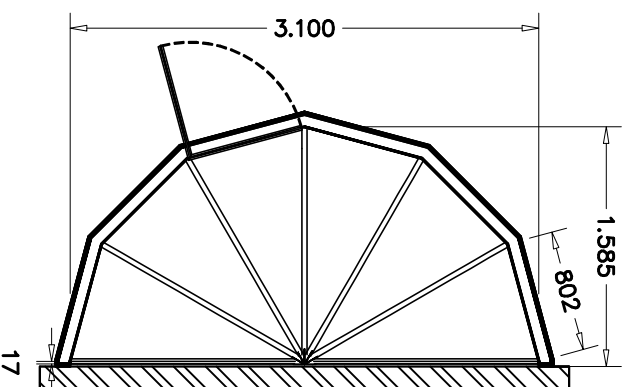
Carrousel B dia.3776+1



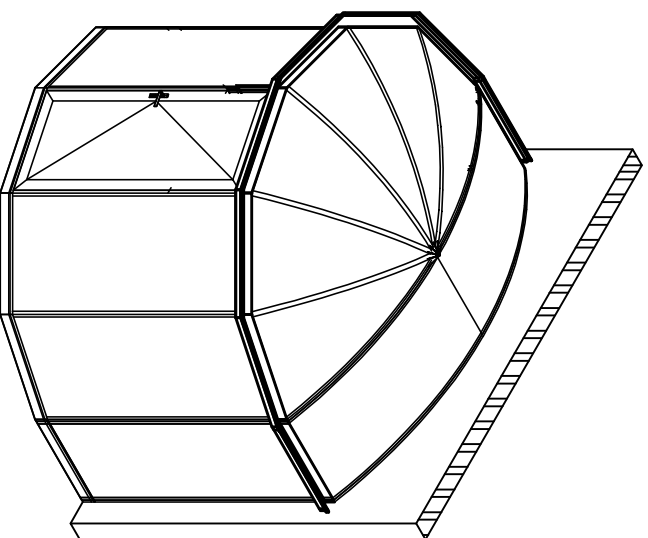
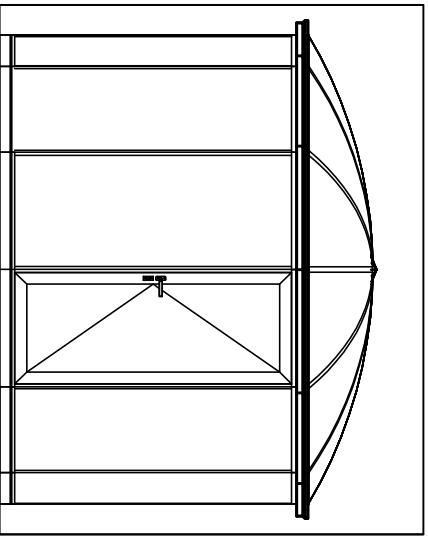
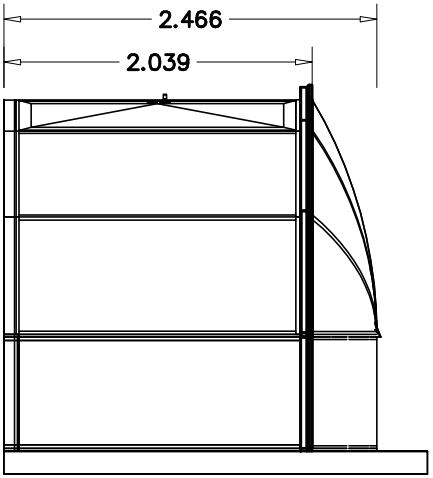
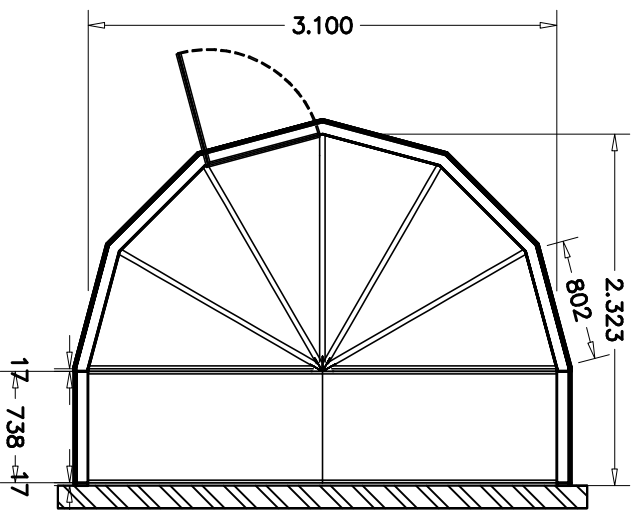
Carrousel B dia.3776+2



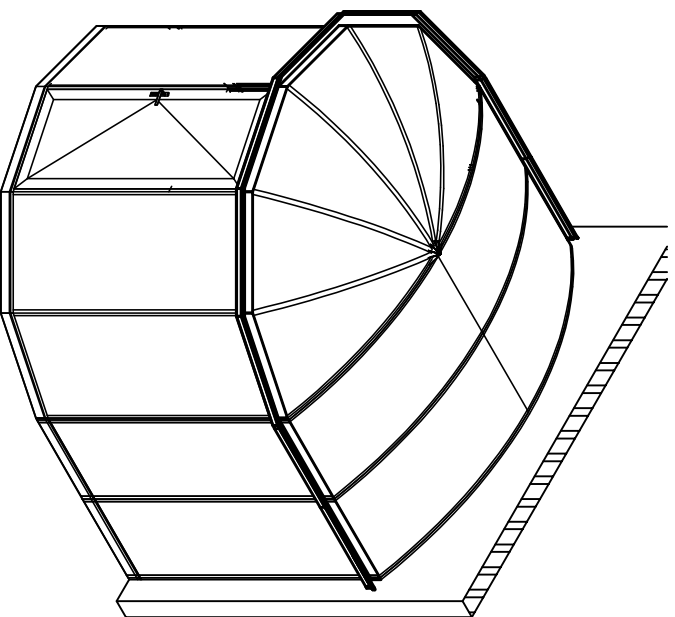
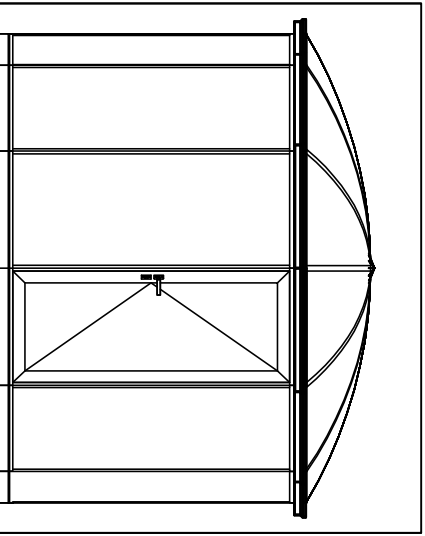
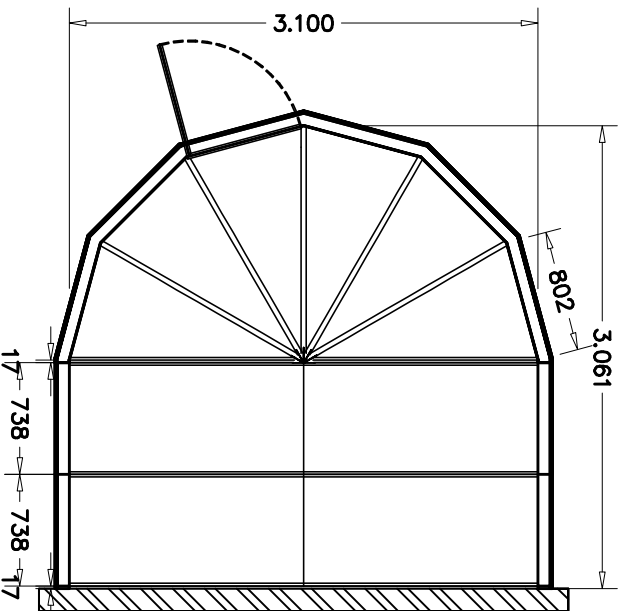
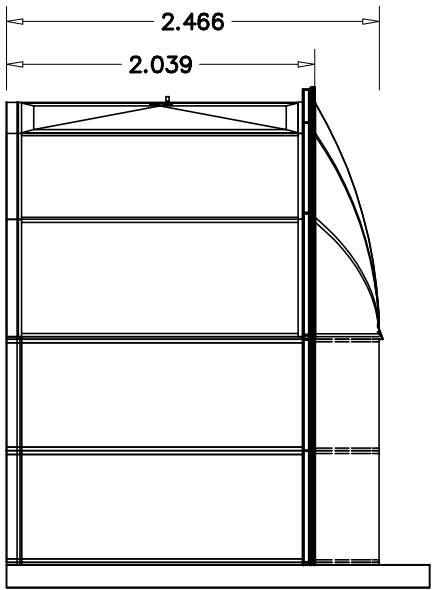
Carrousel B dia.3776+4



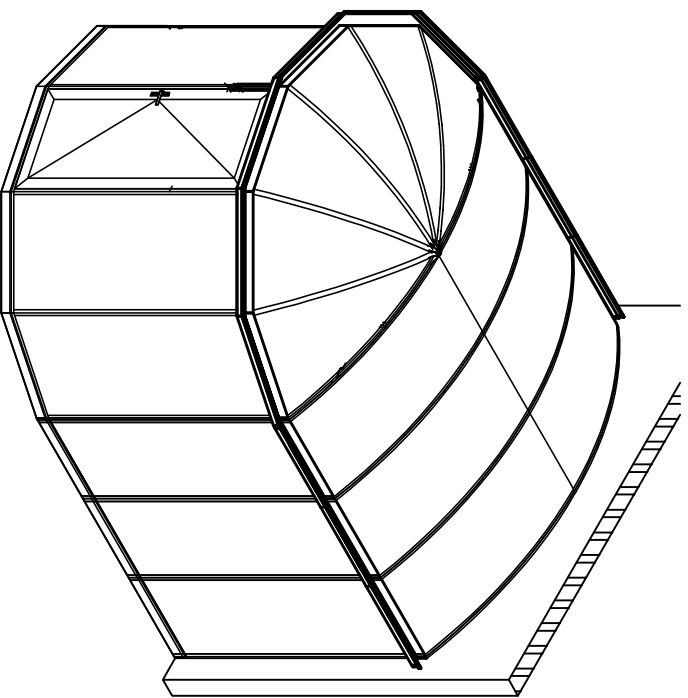
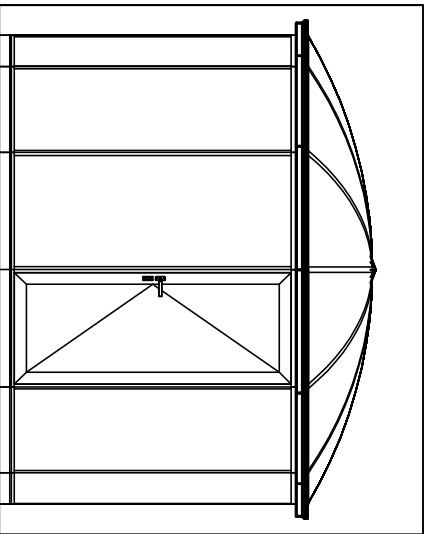
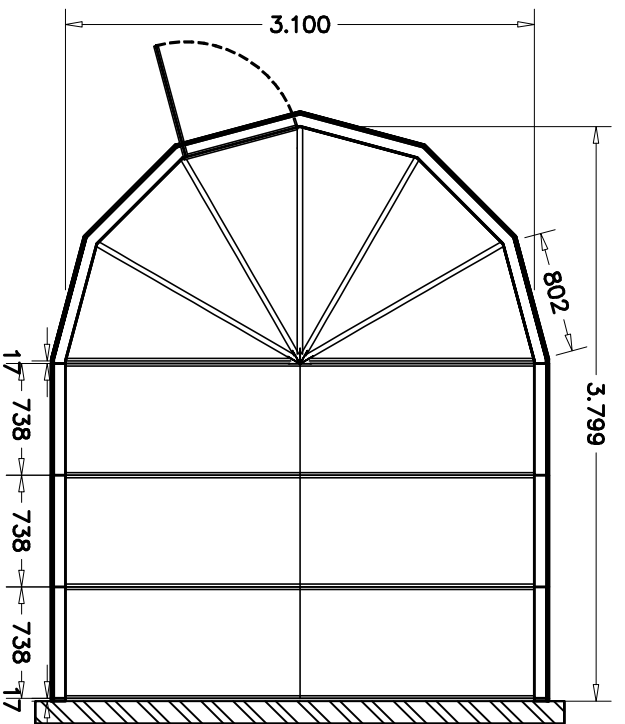
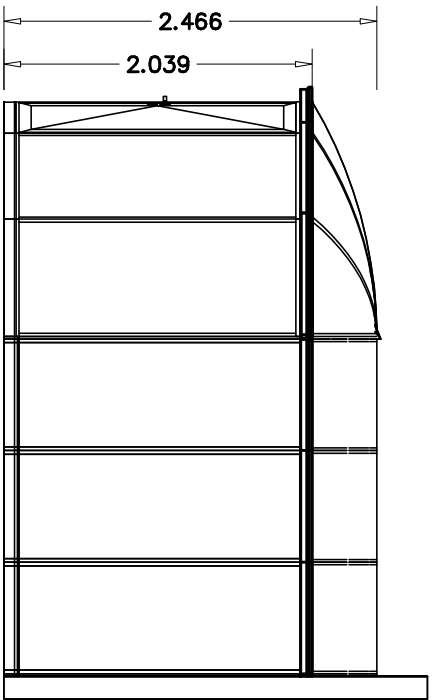
Carrousel B-C dia. 3100



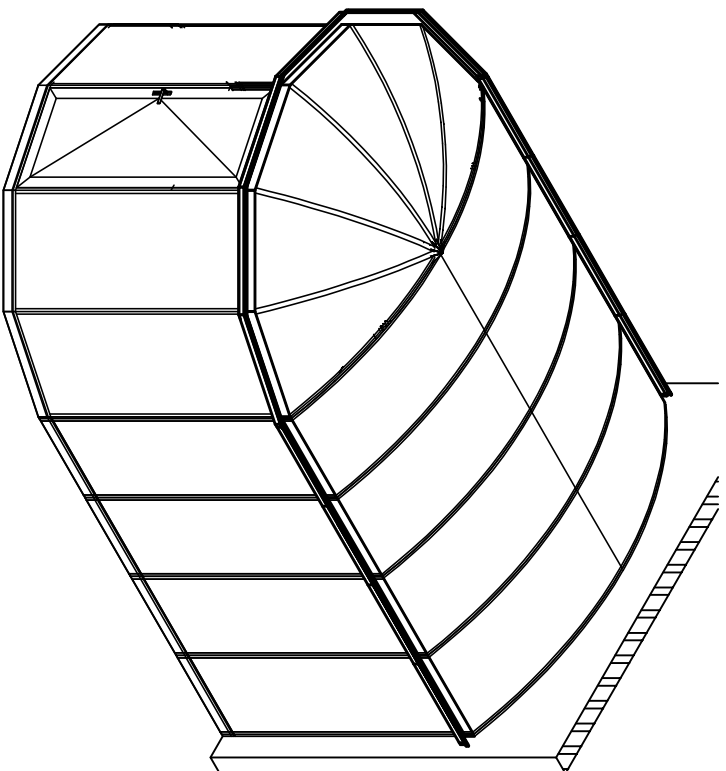
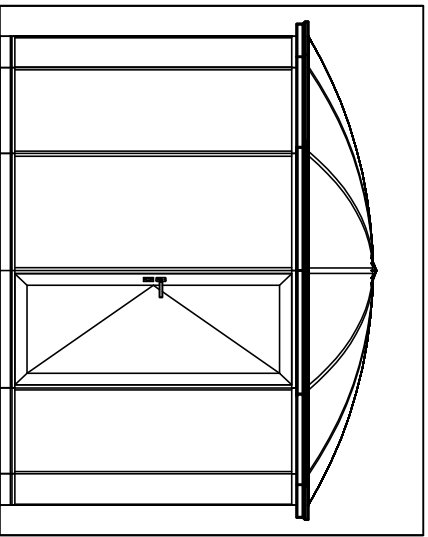
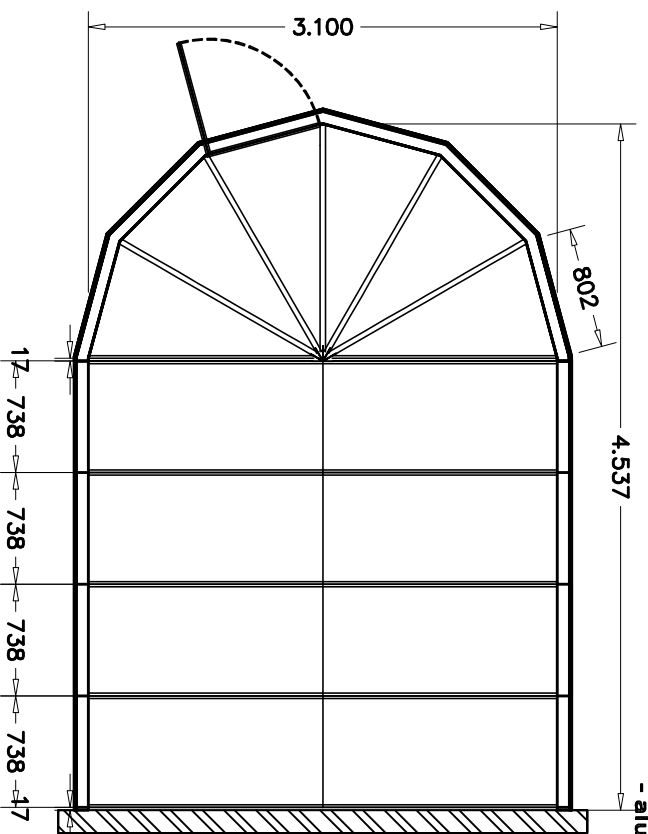
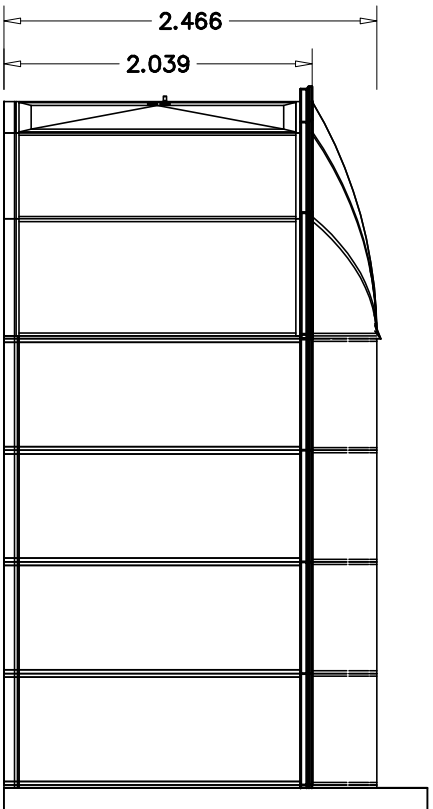
Carrousel B-C dia. 3100+1



Carrousel B-C dia. 3100+2

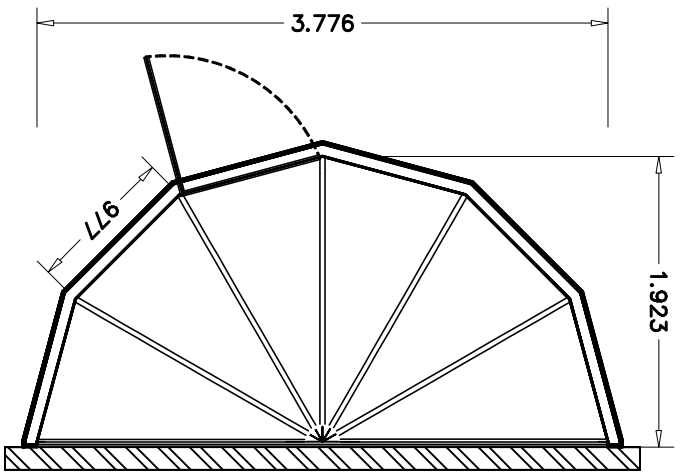
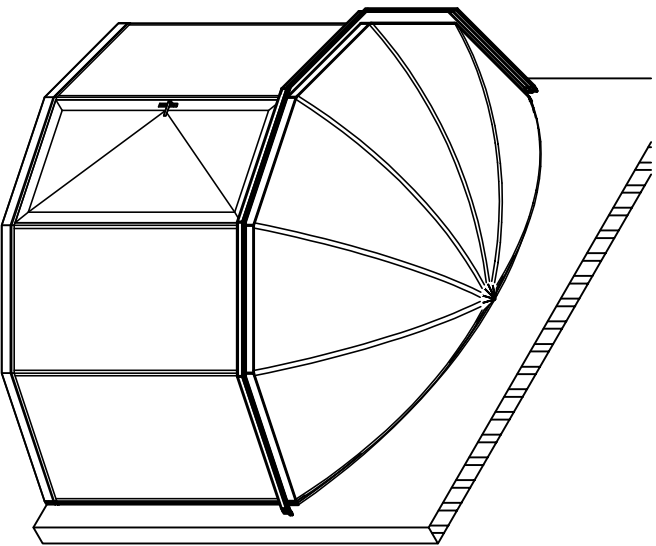
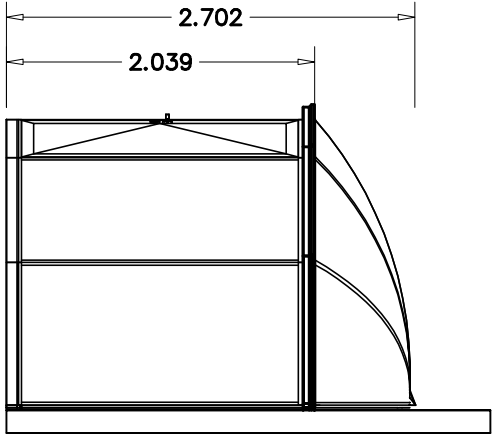
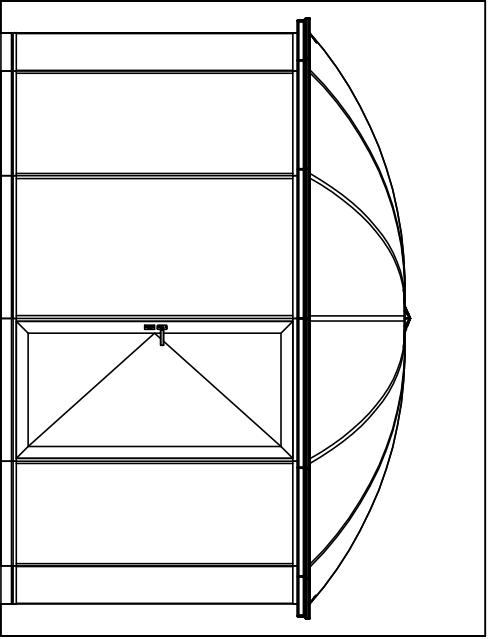


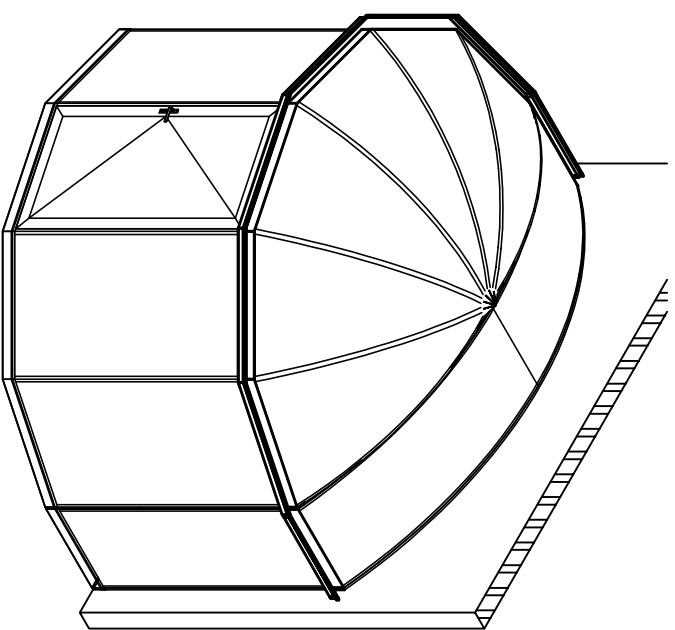
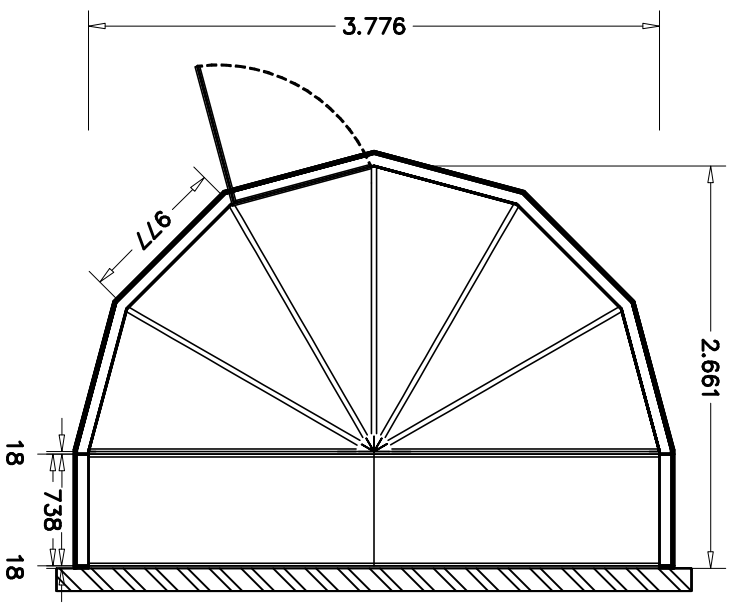
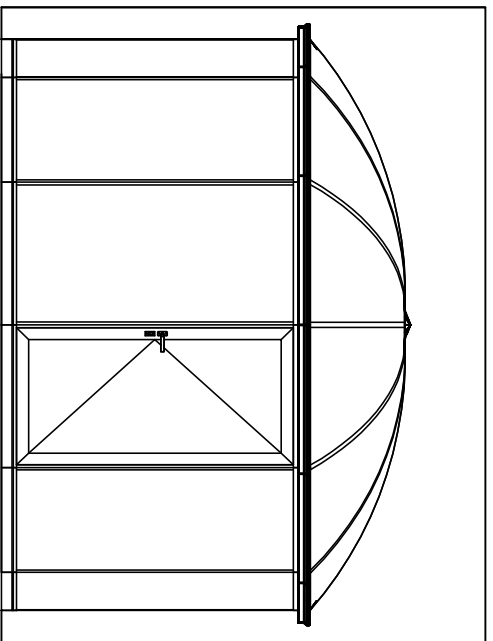
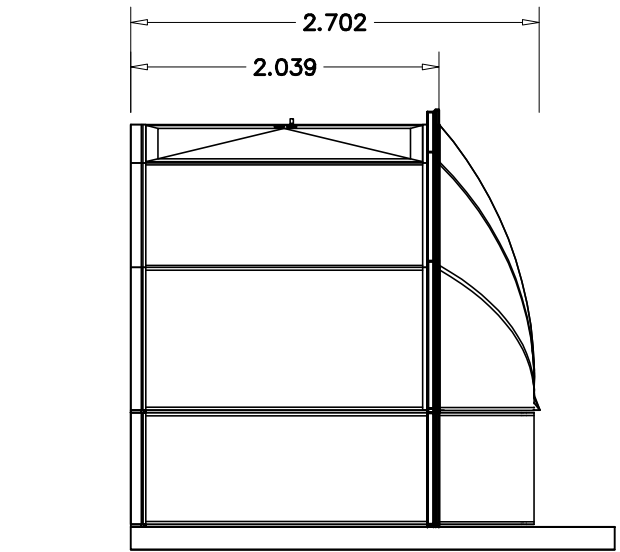
Carrousel B-C dia. 3100+3



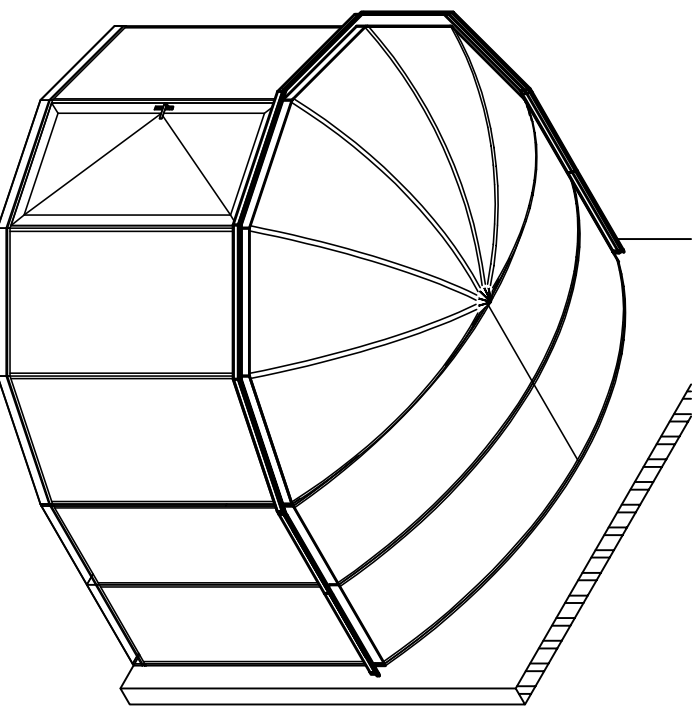
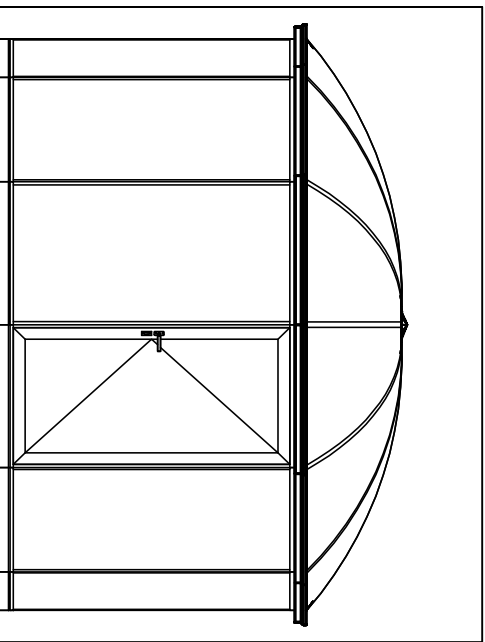
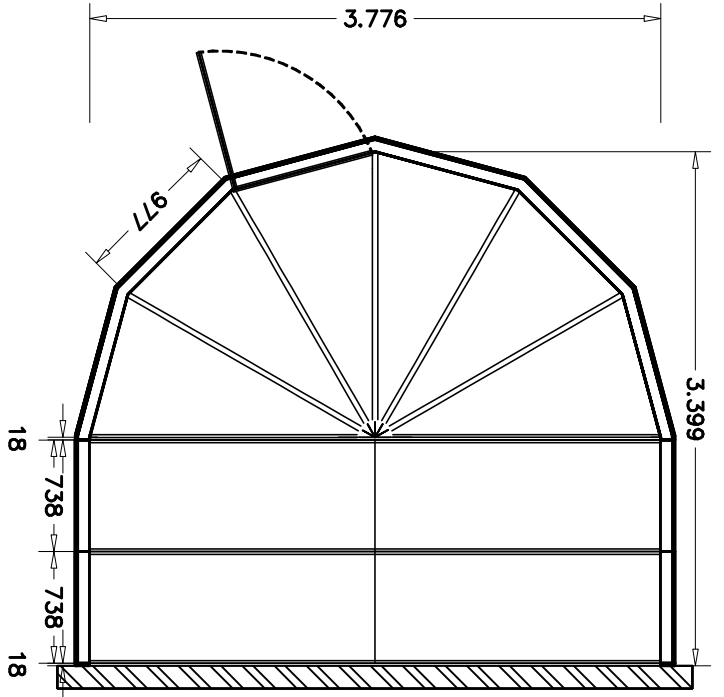
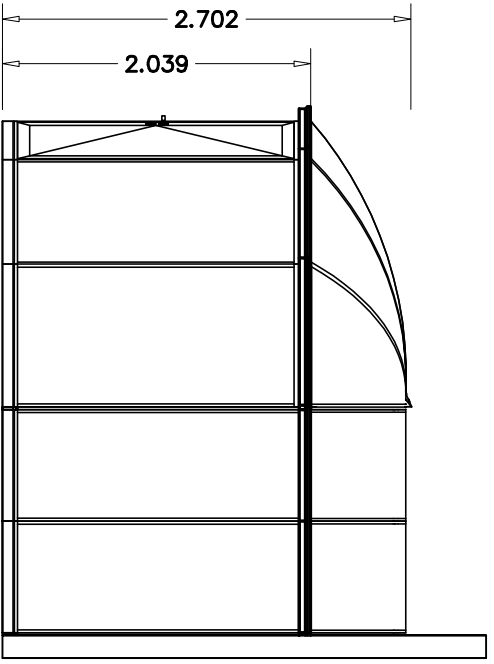
Carrousel B-C dia. 3100+4

Carrousel B-C dia. 3776



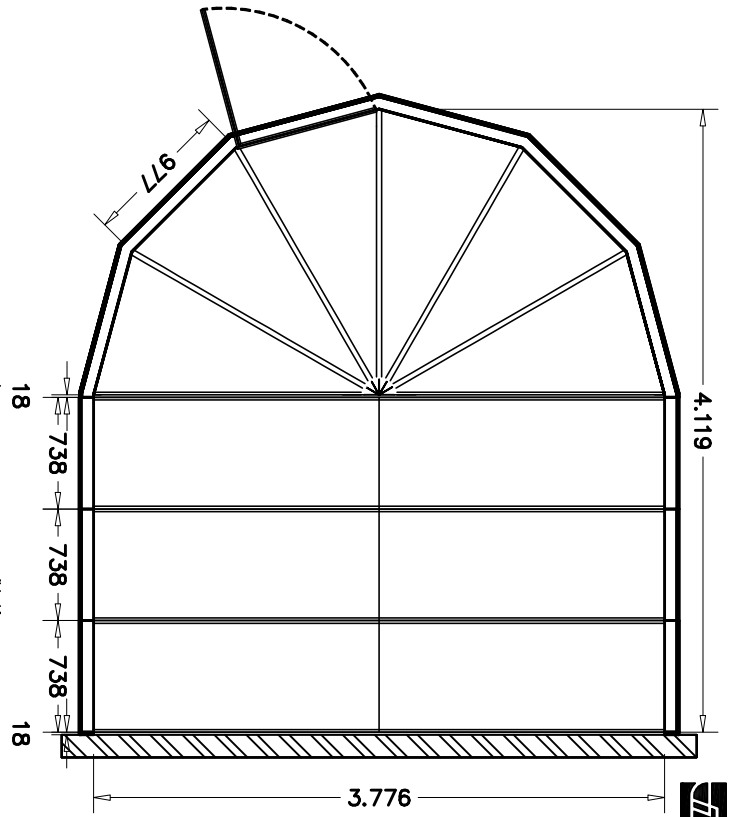
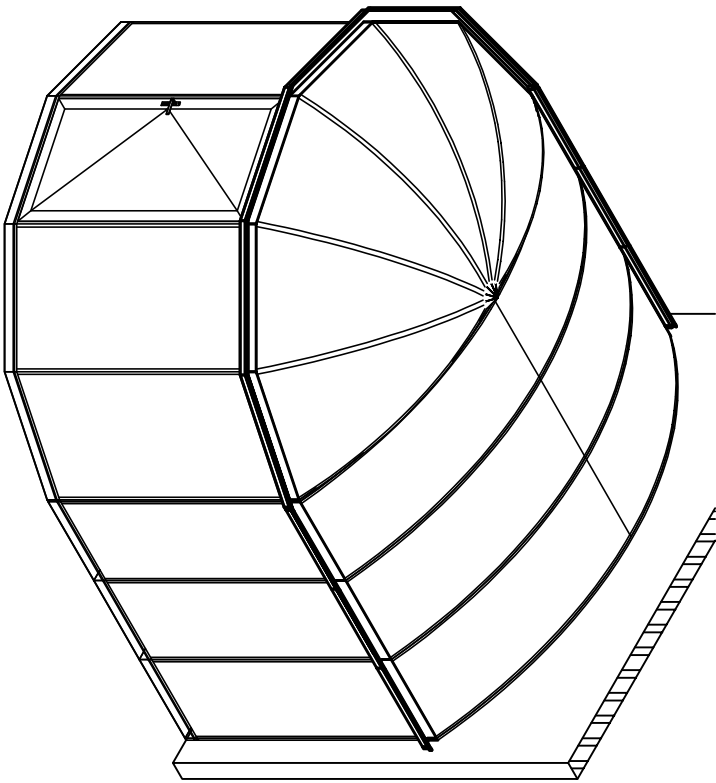
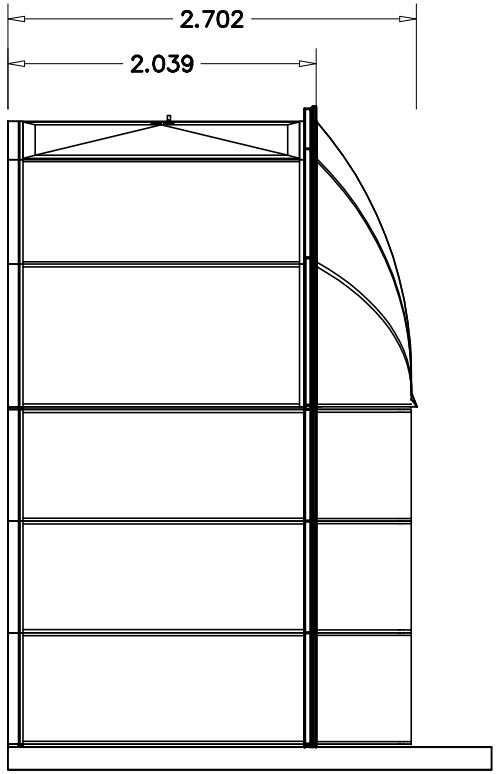
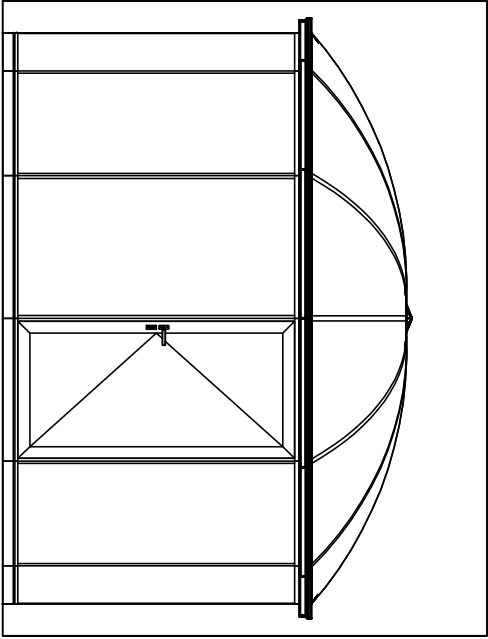


Carrousel B-C dia. 3776+1

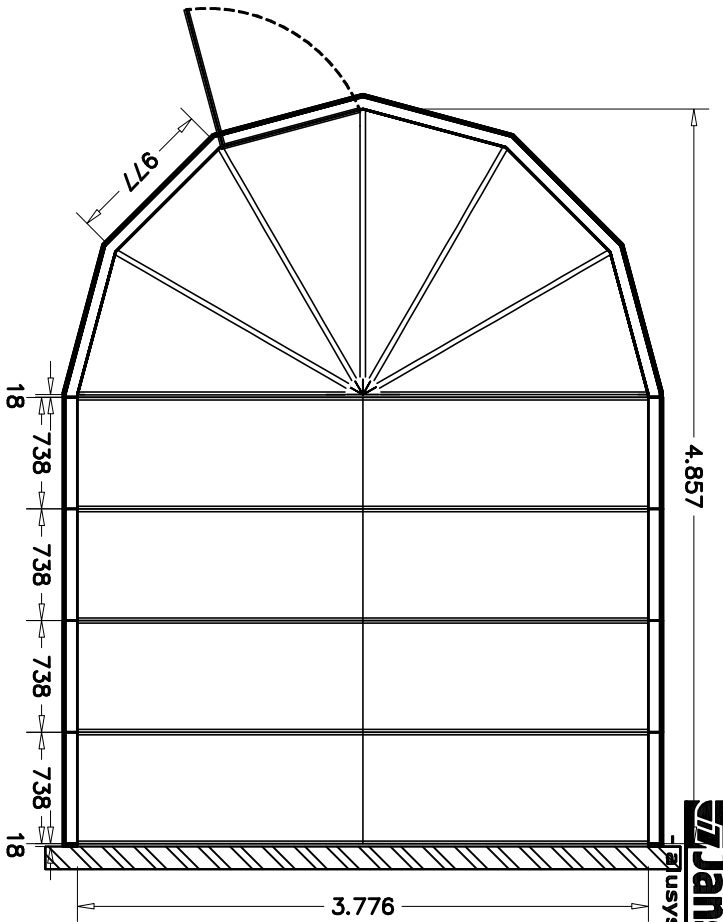
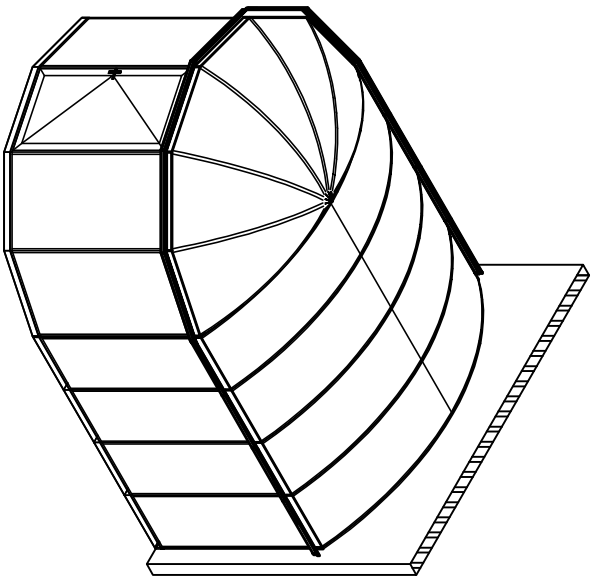
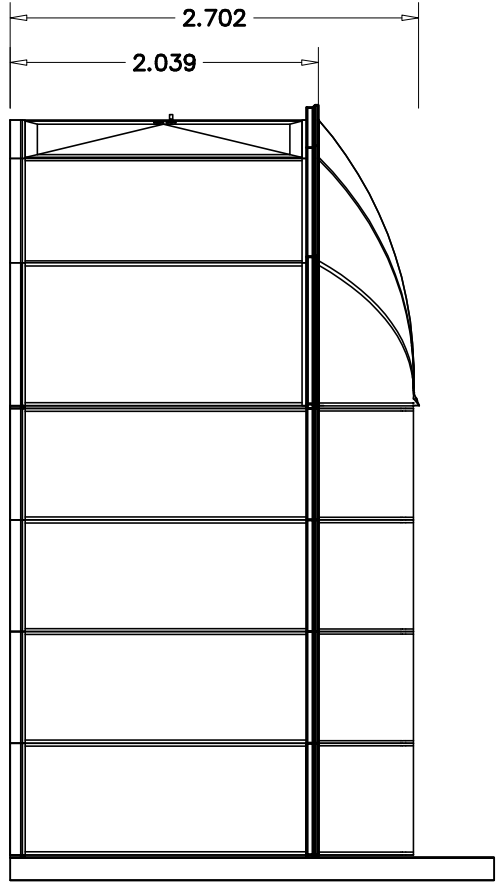
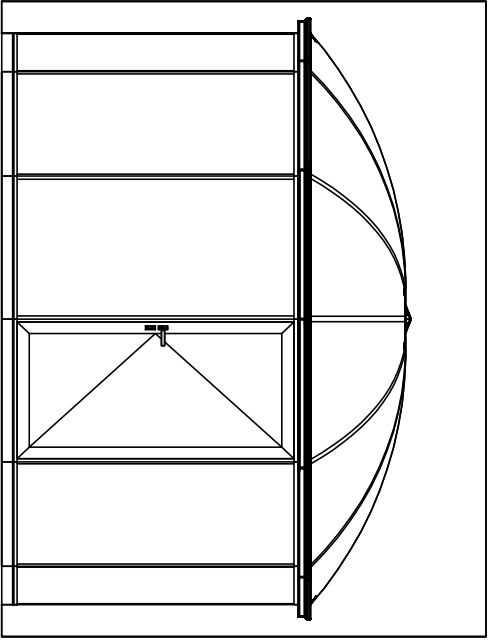


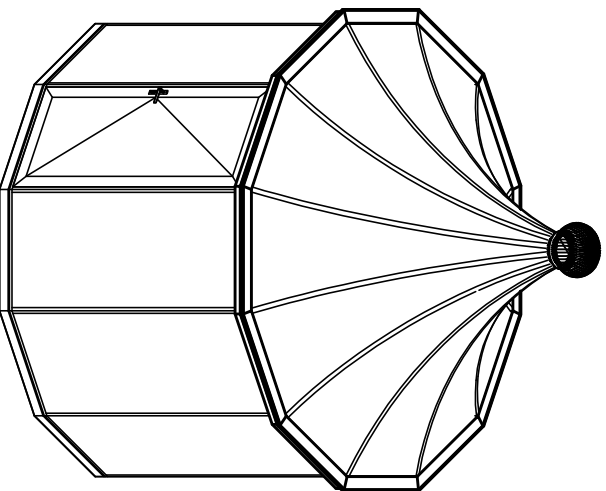
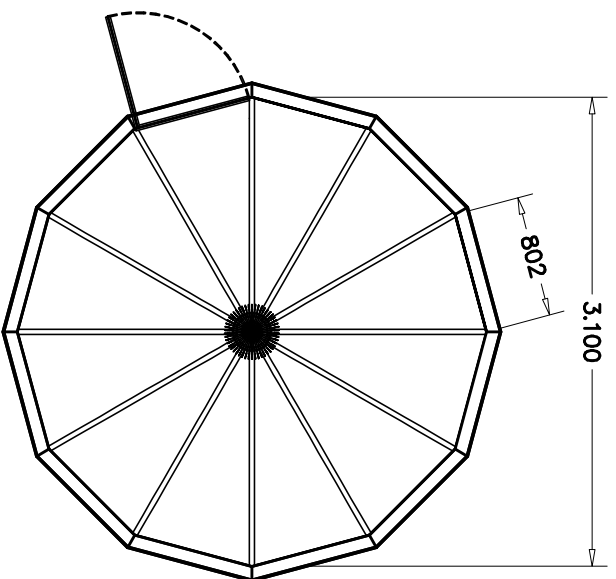
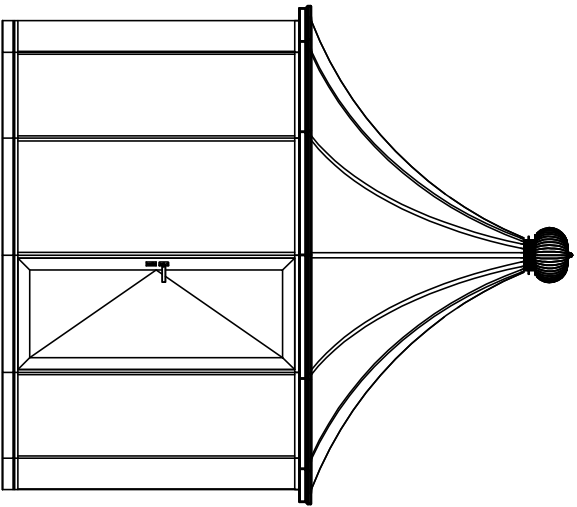
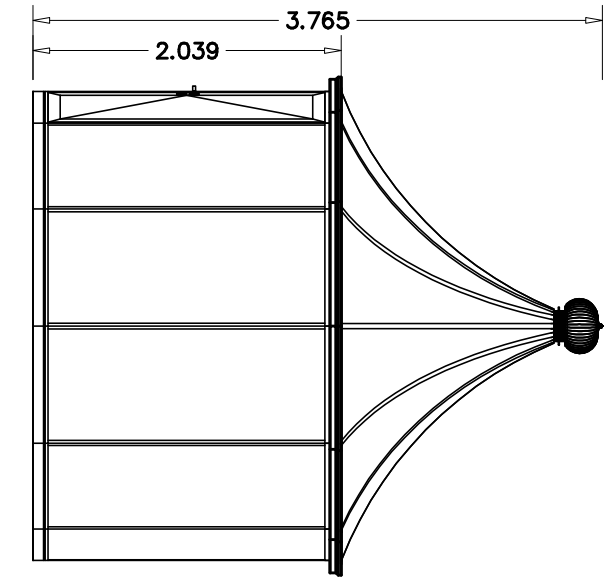
Carrousel B-C dia. 3776+2

Carrousel B-C dia. 3766+3

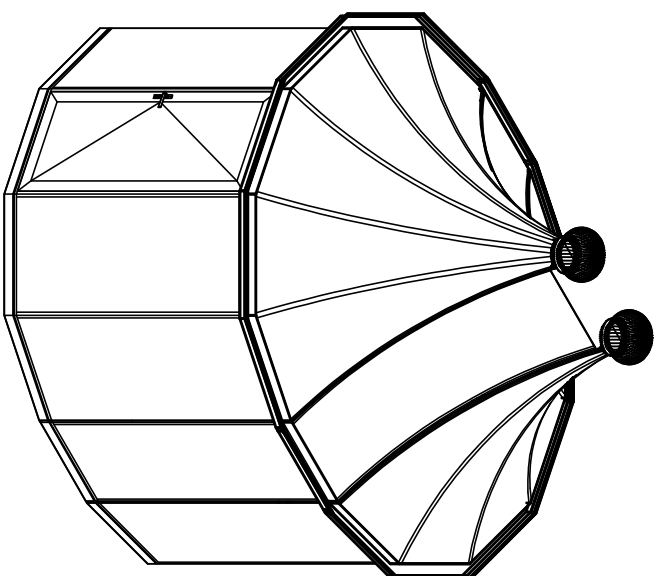
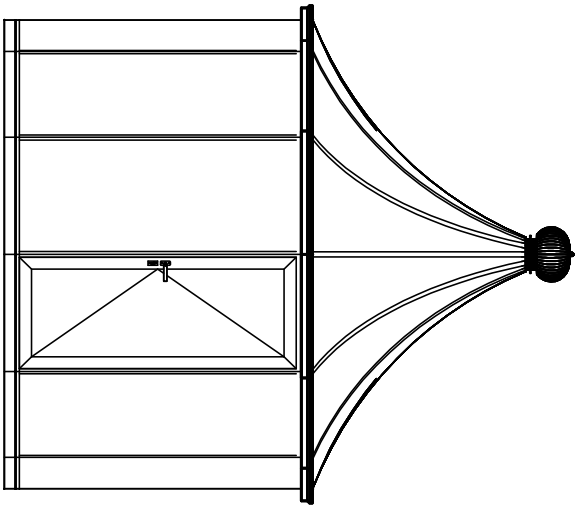
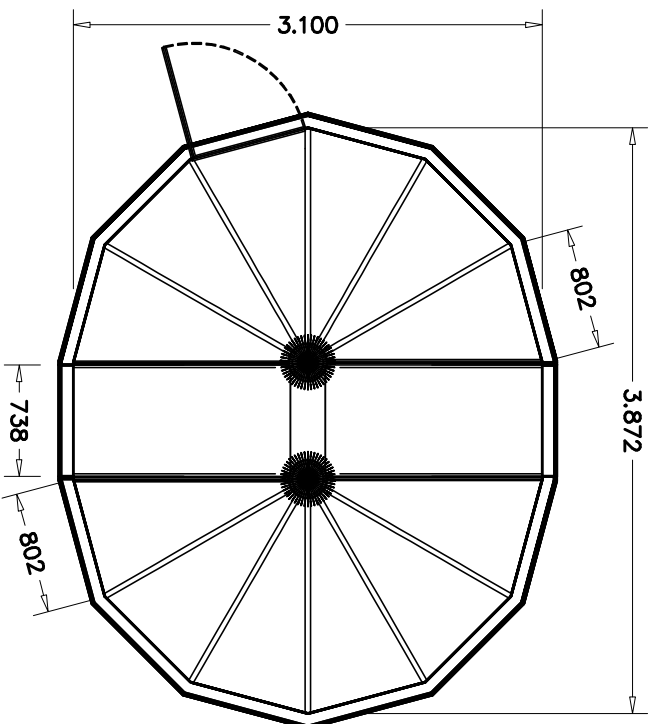
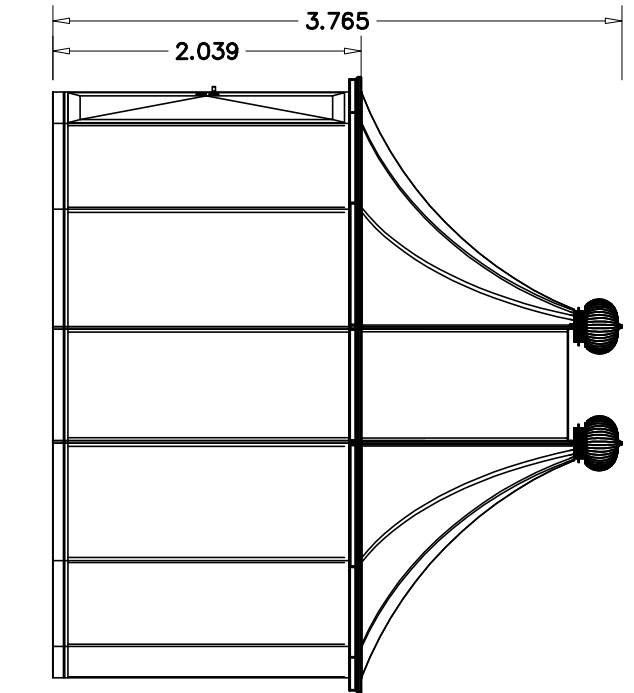


Carrousel B-C dia. 3776+4



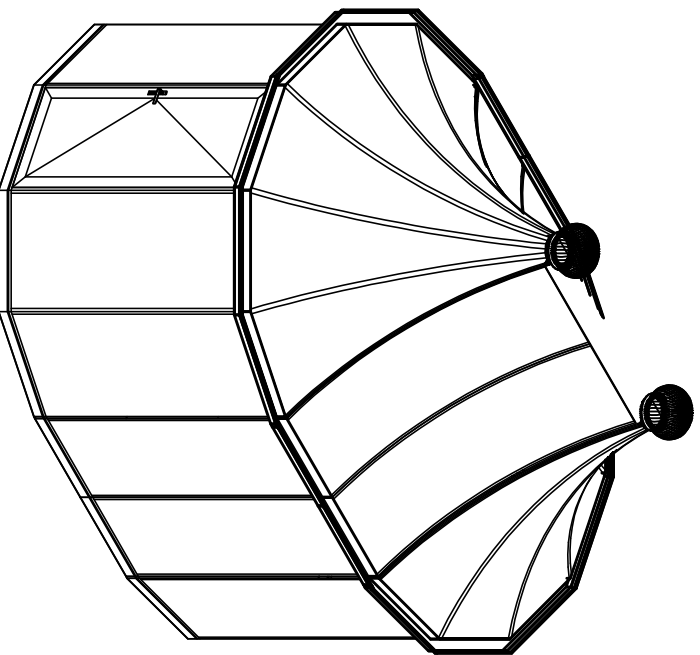
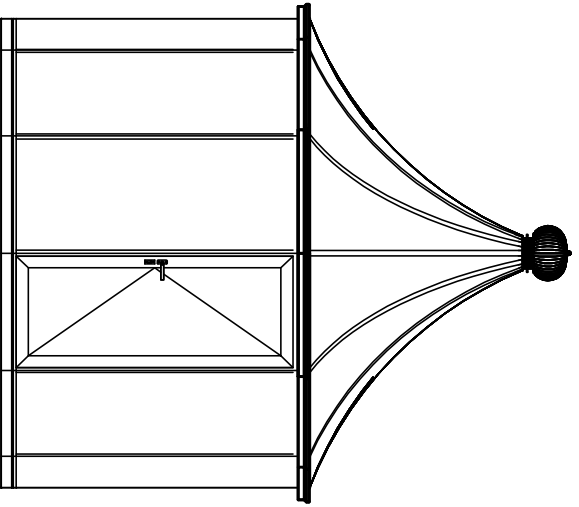
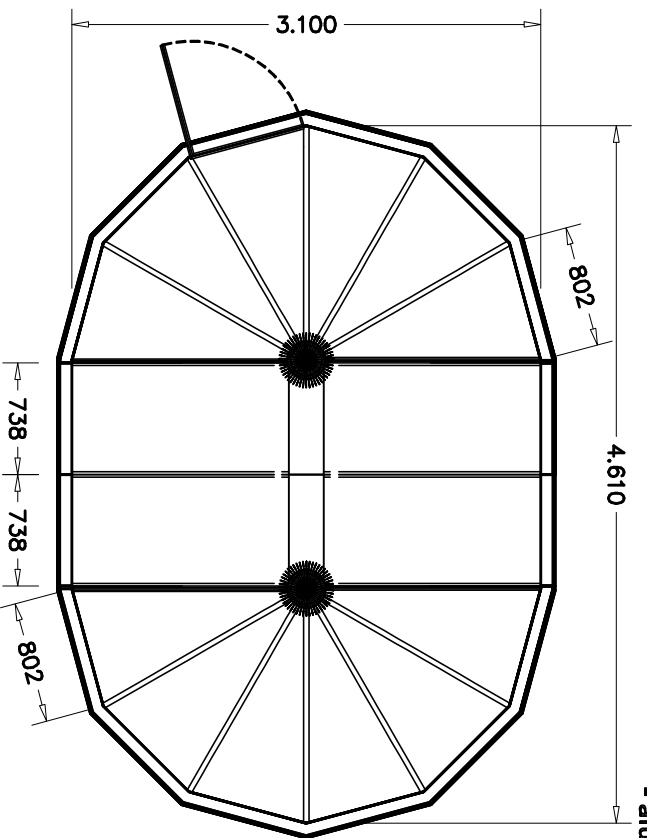
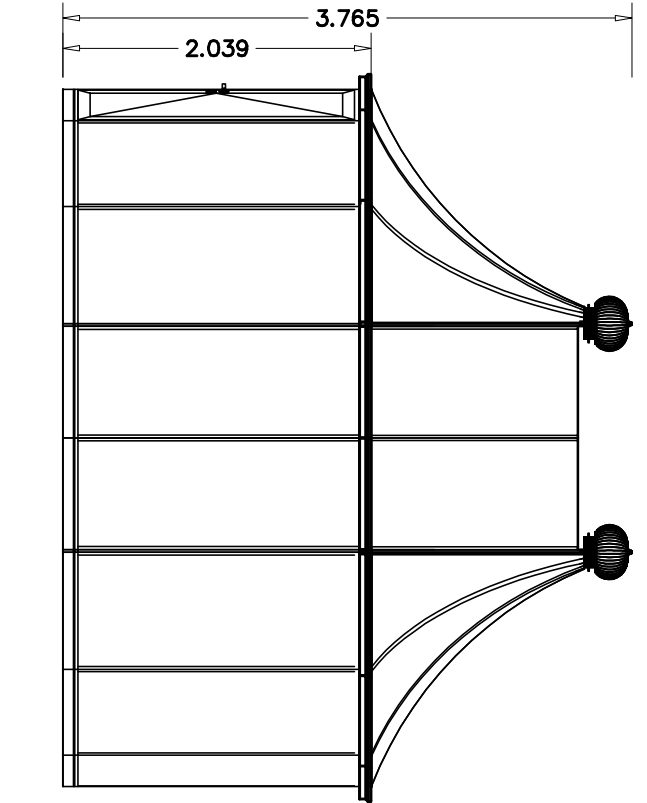


Pagode dia. 3100

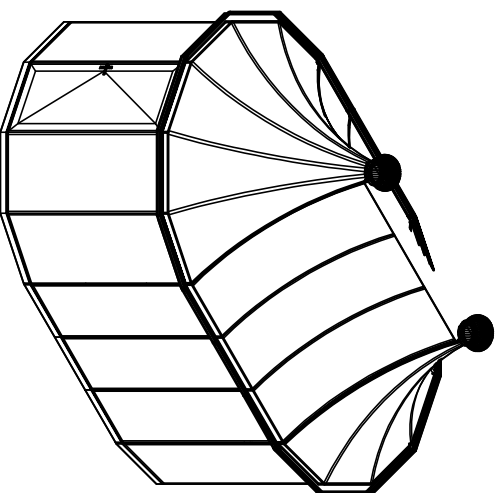
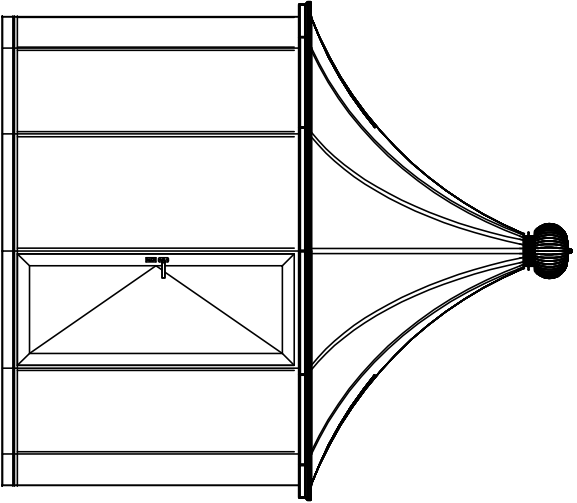
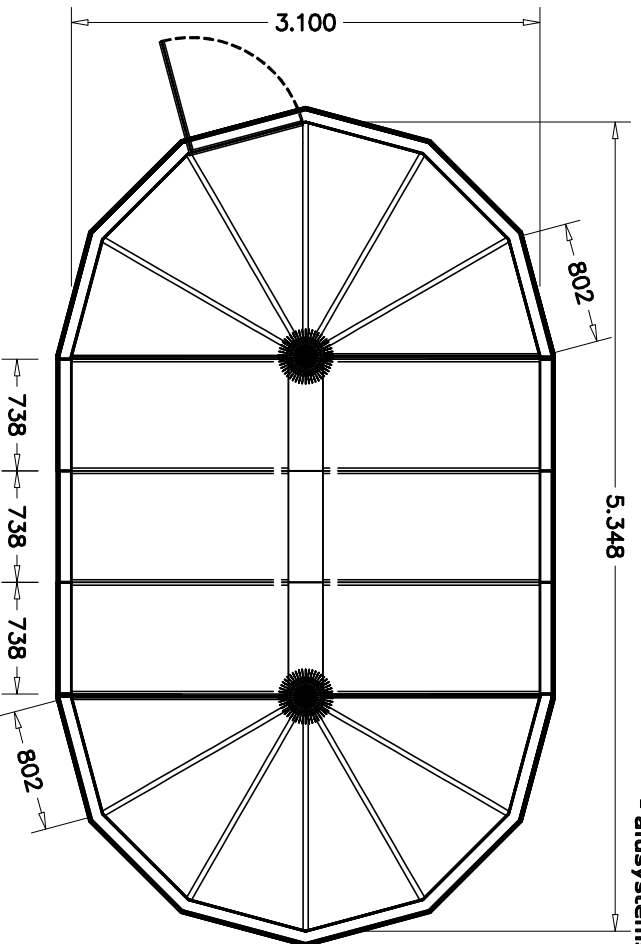
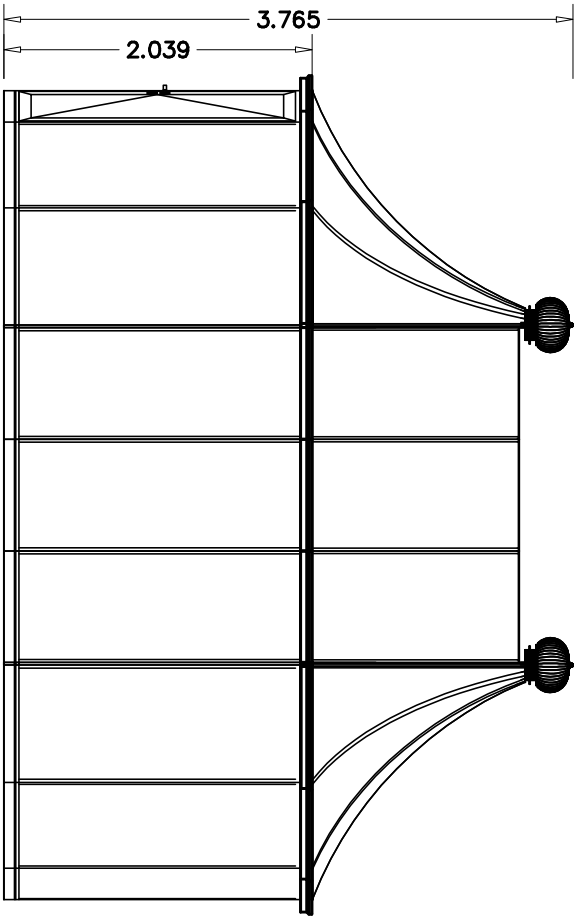


Pagode dia.3100+1

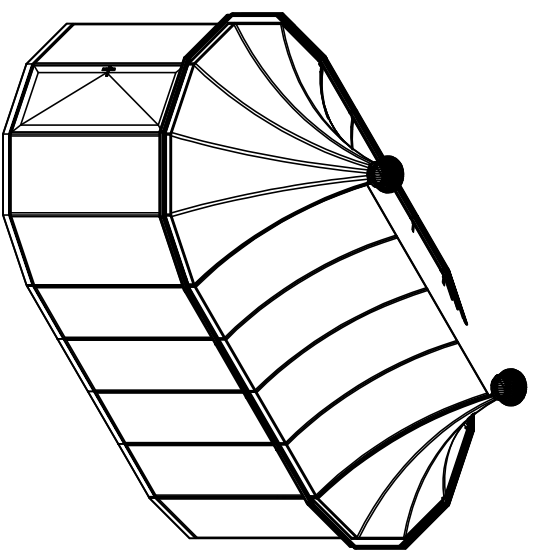
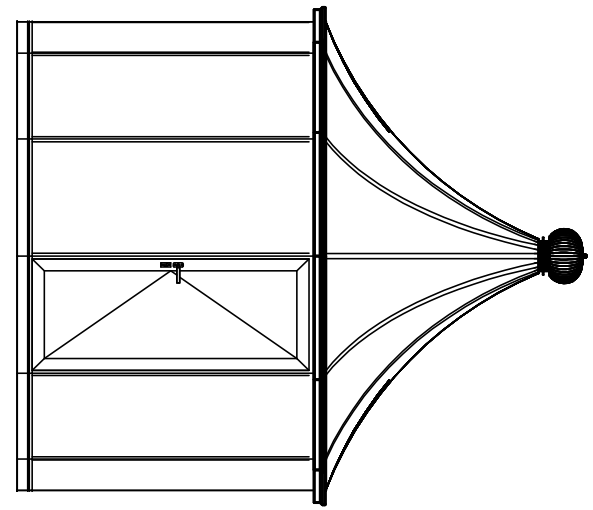
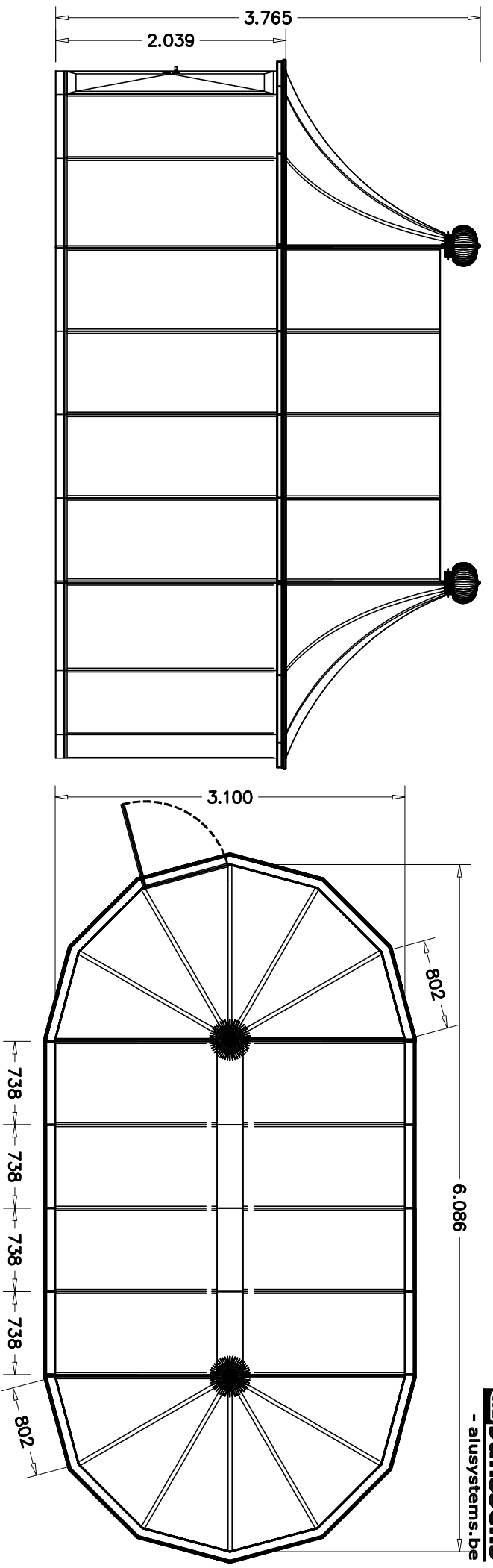
Schaal
1:50



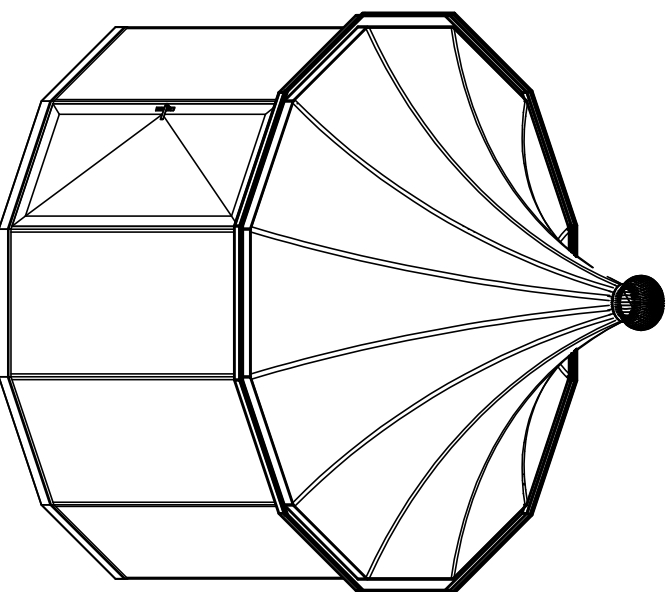
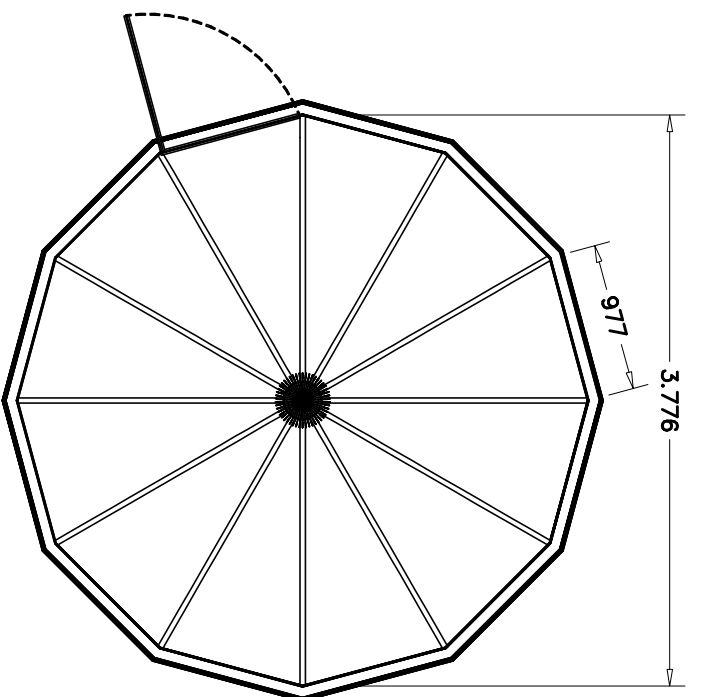
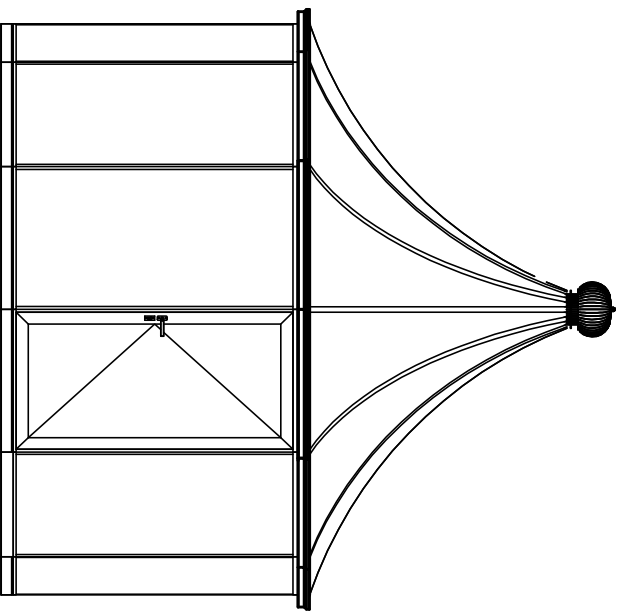
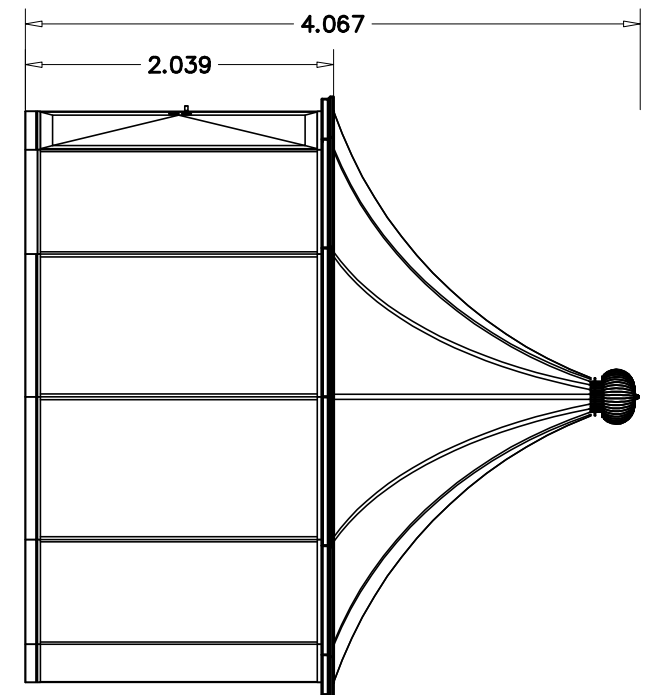
Pagode dia.3100+2



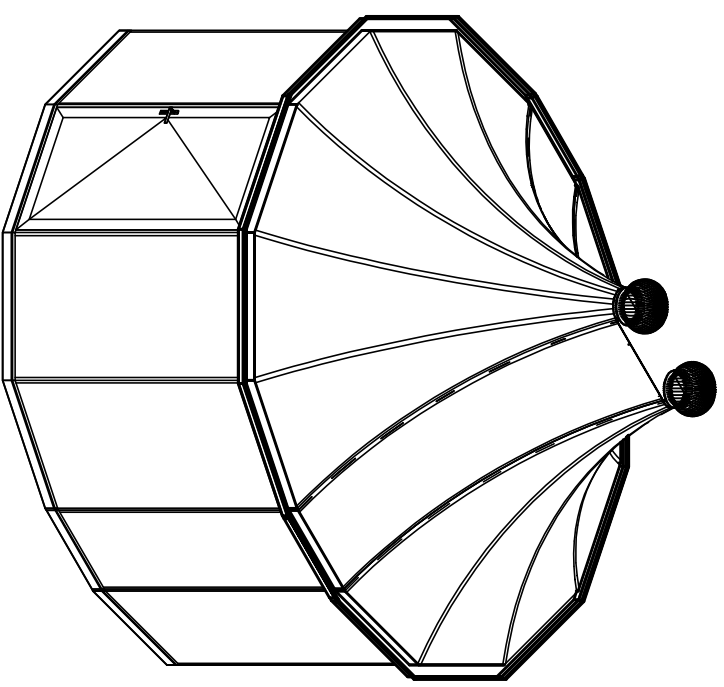
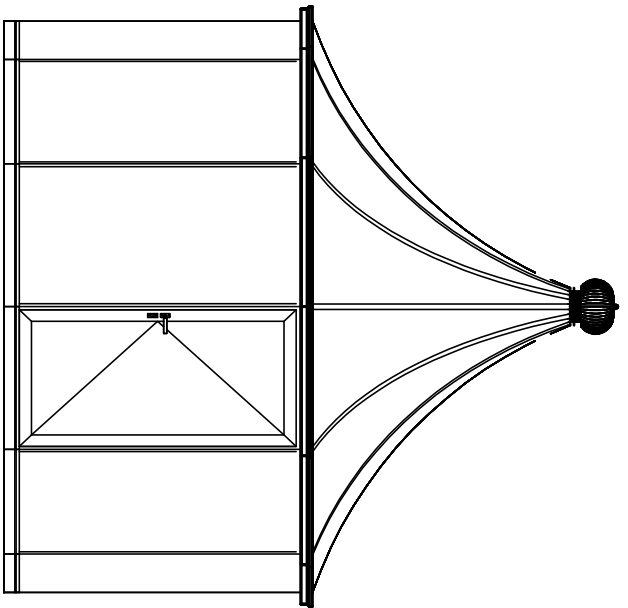
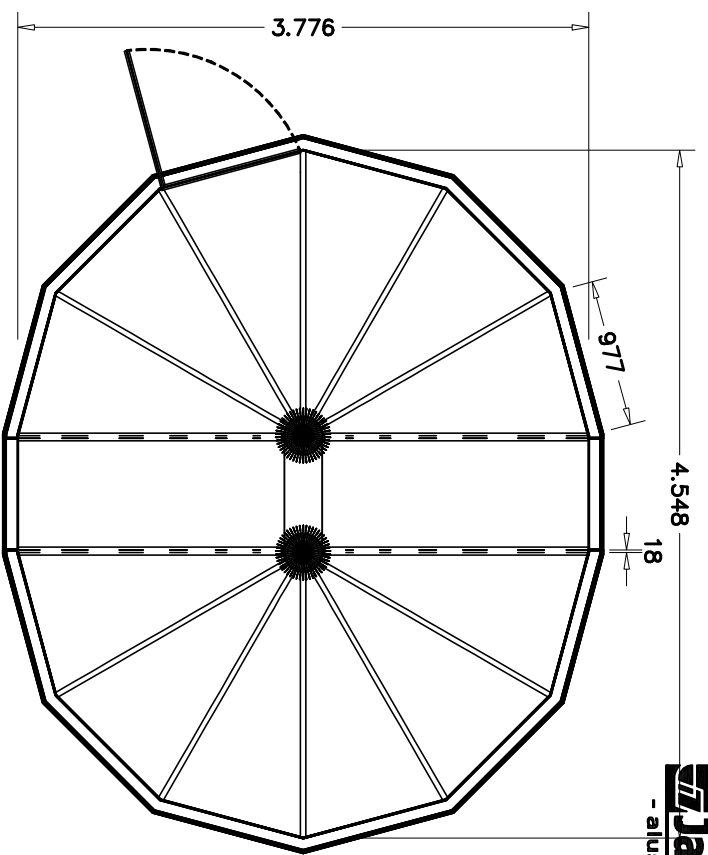
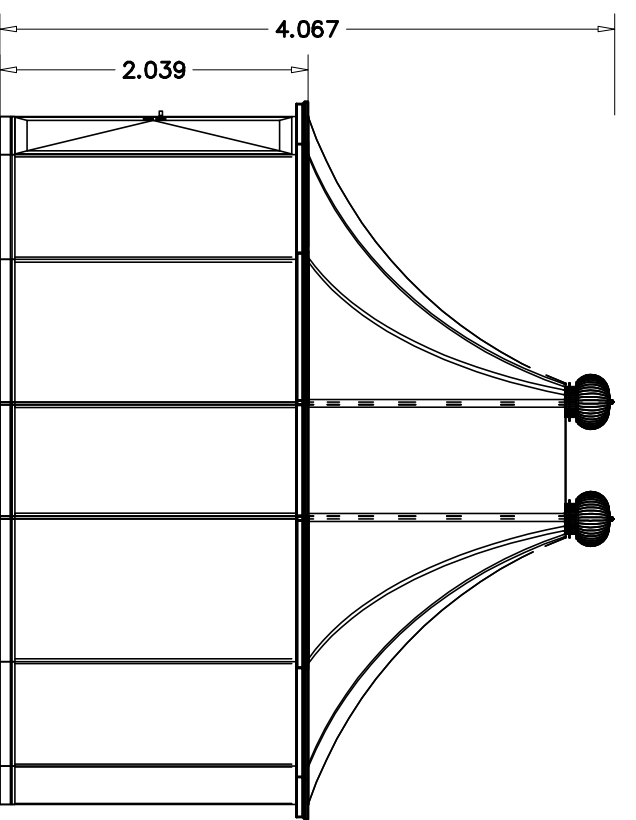
Pagode dia.3100+3



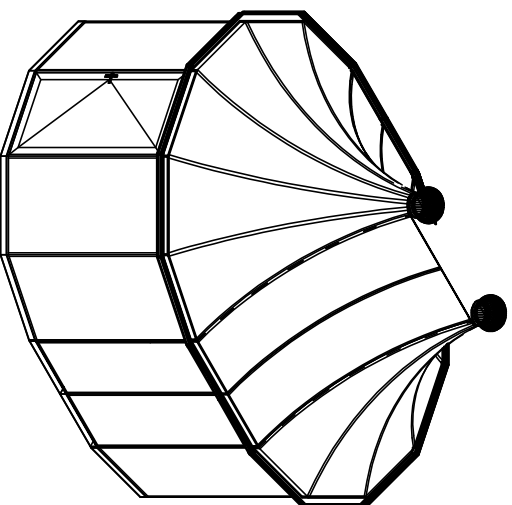
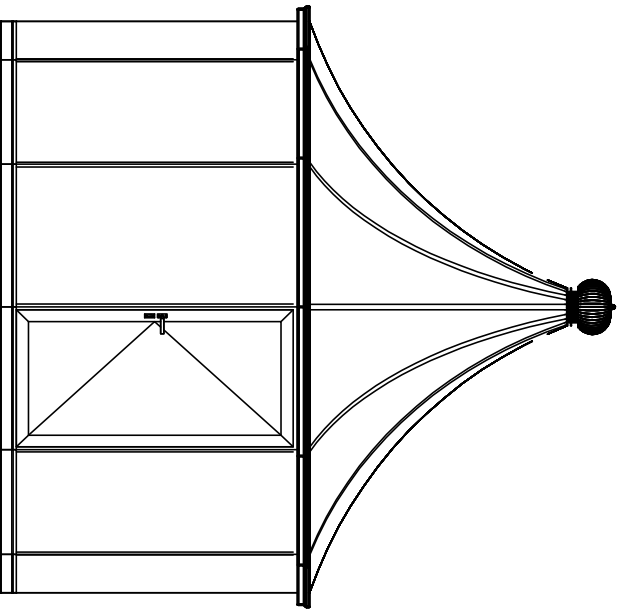
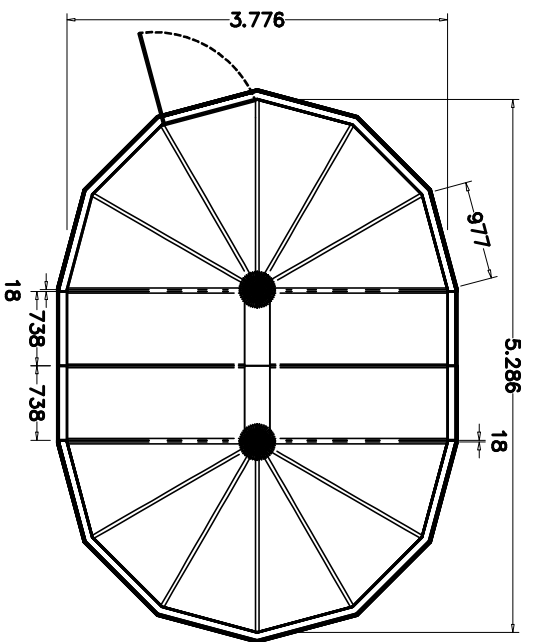
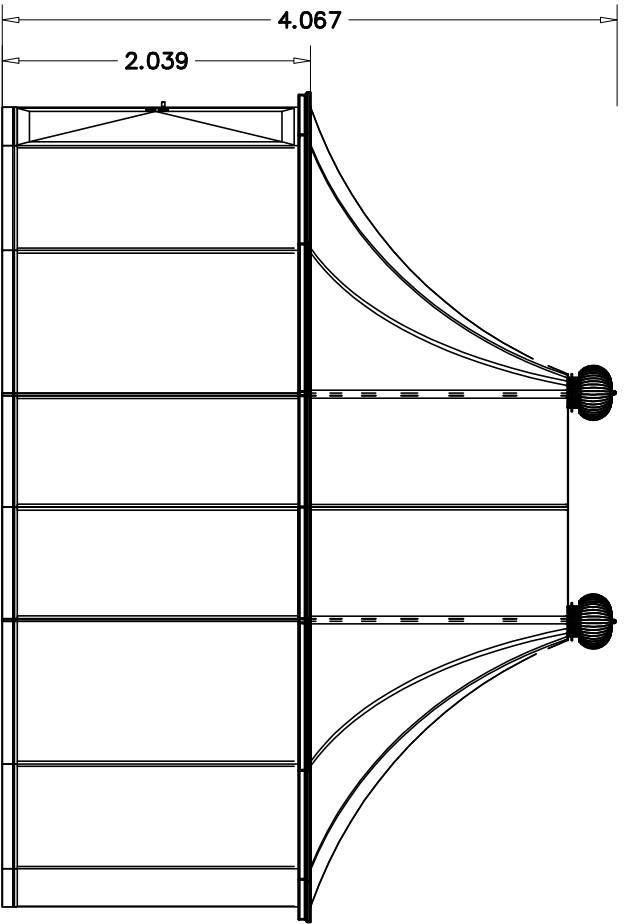
Pagode dia.3100+4



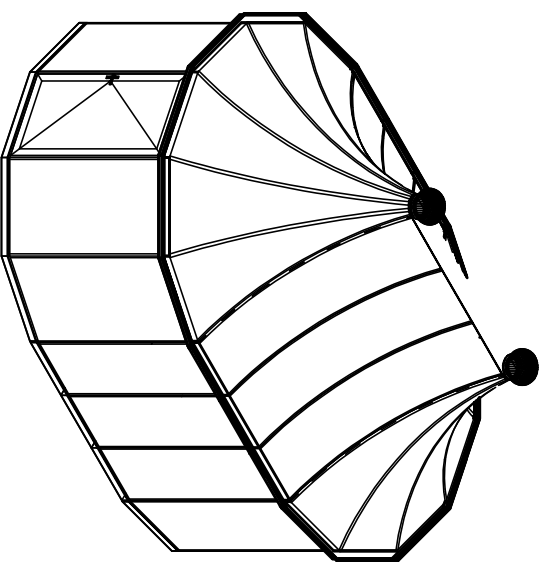
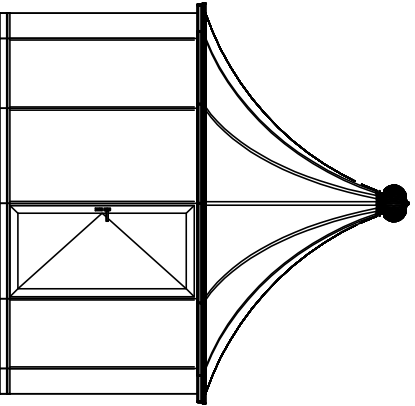
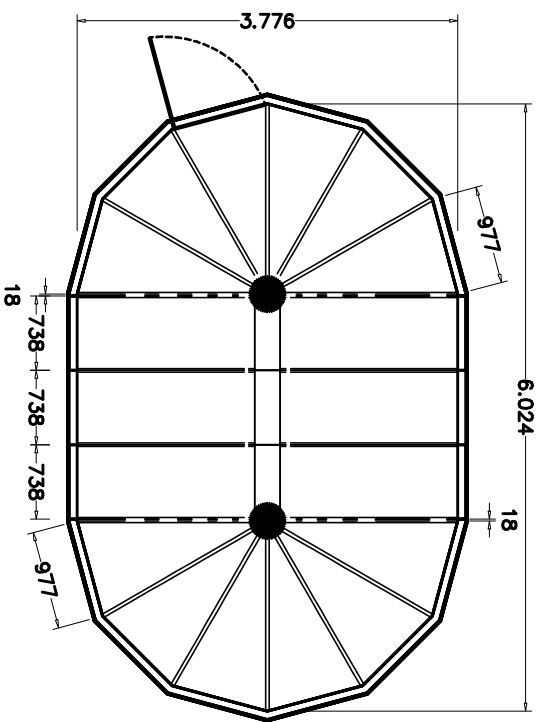
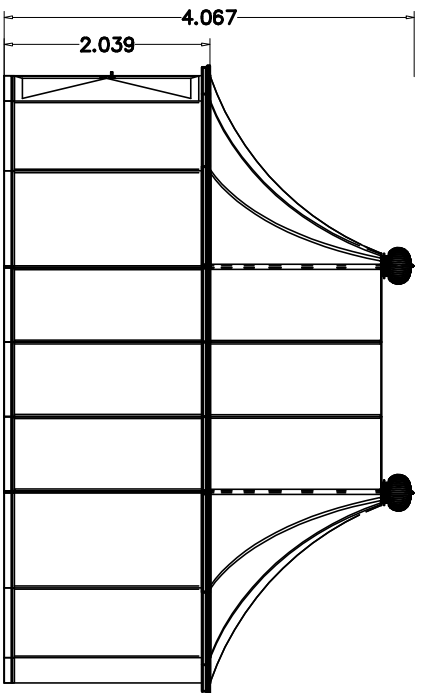
Pagode dia. 3776



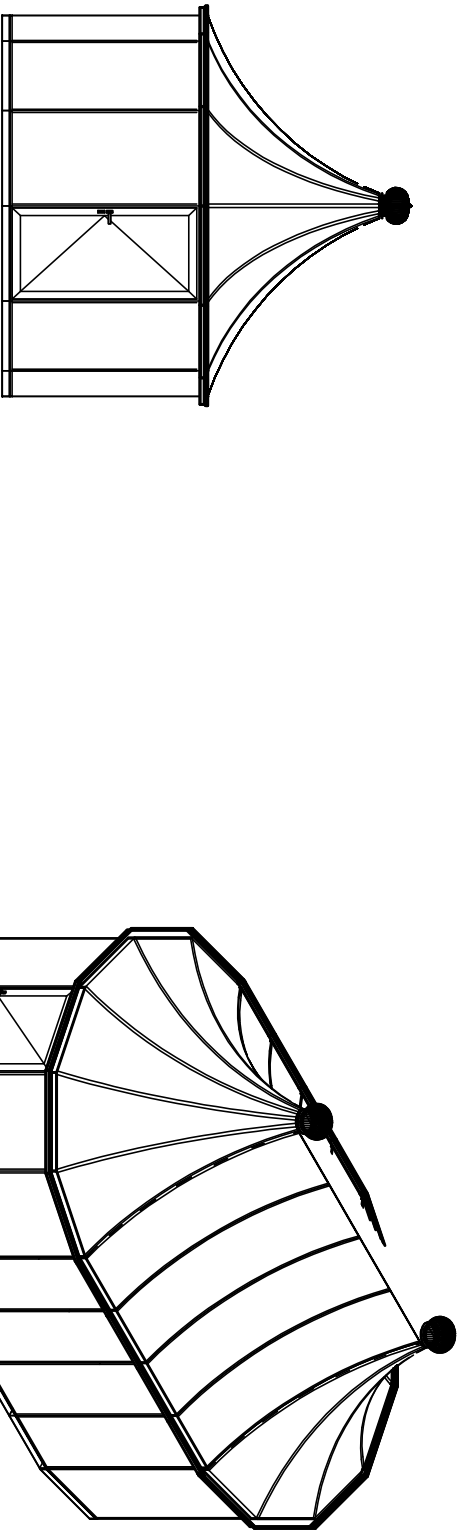
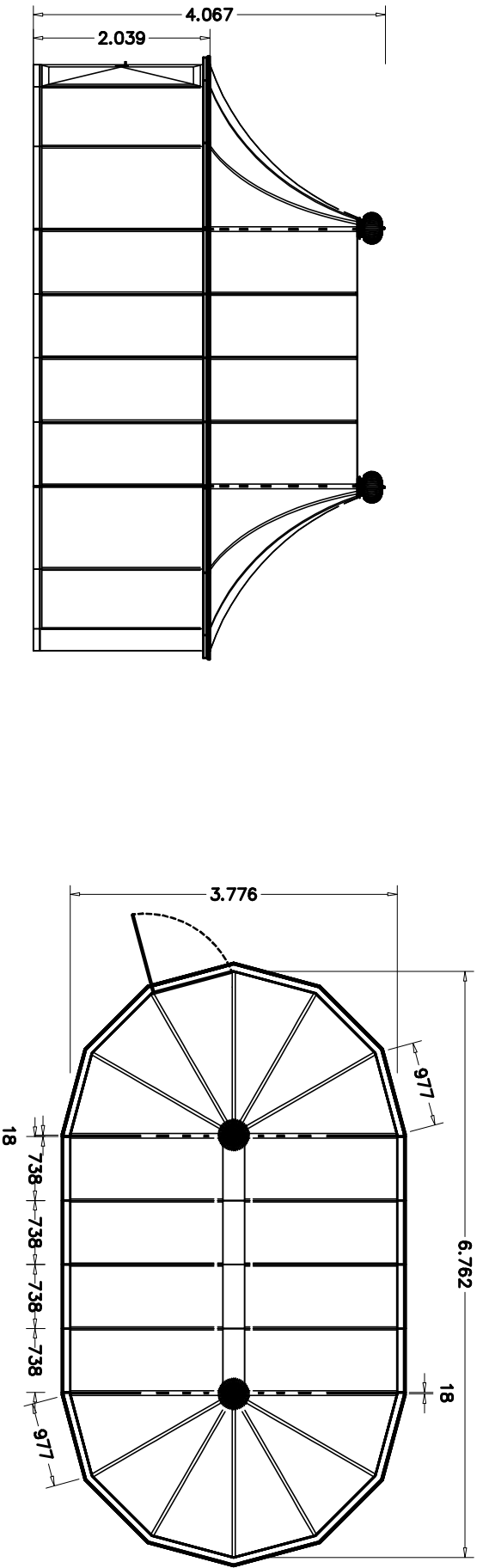
Pagode dia.3776+1



Pagode dia.3776+2

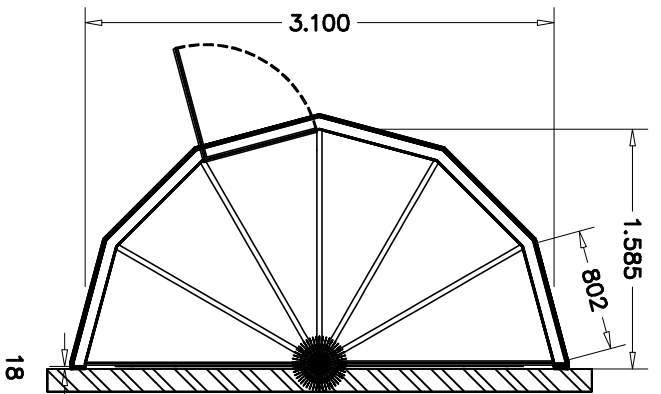
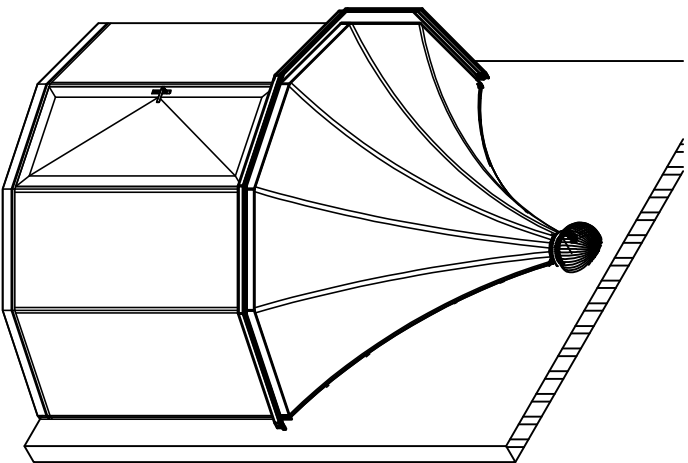
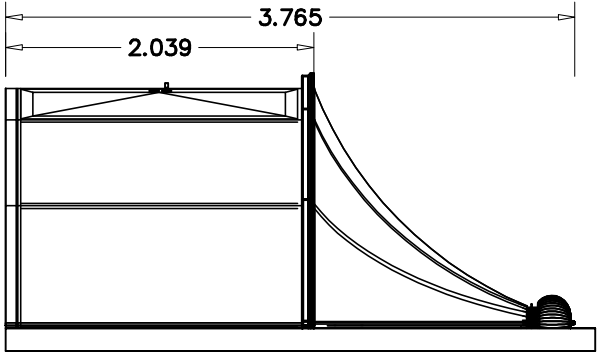
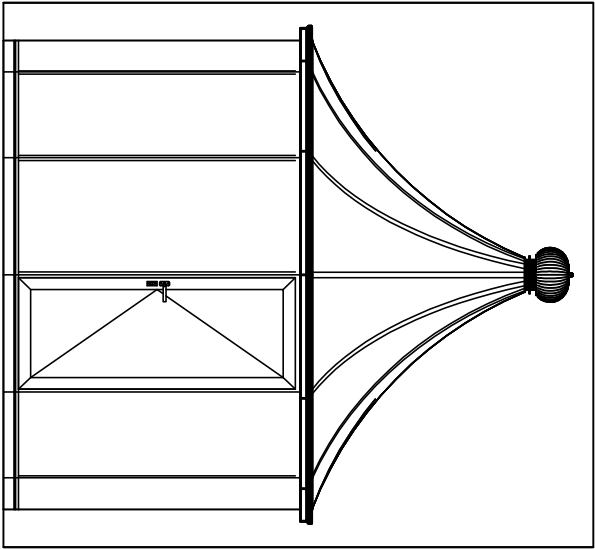


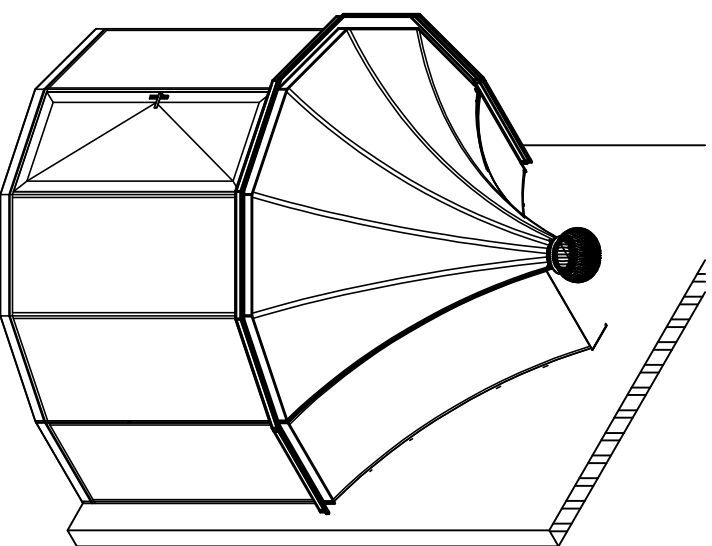
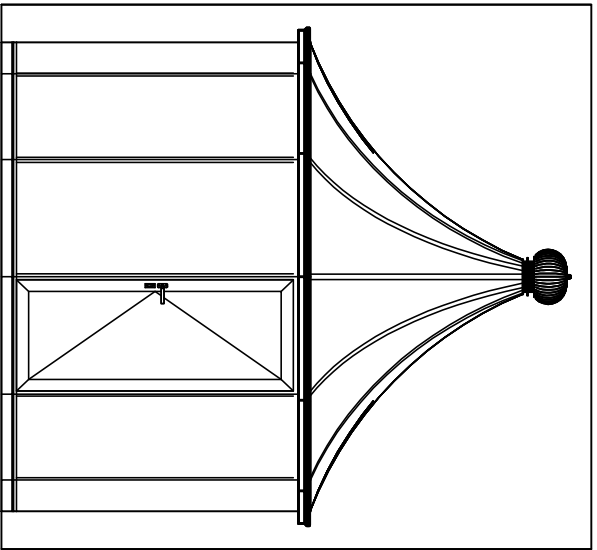
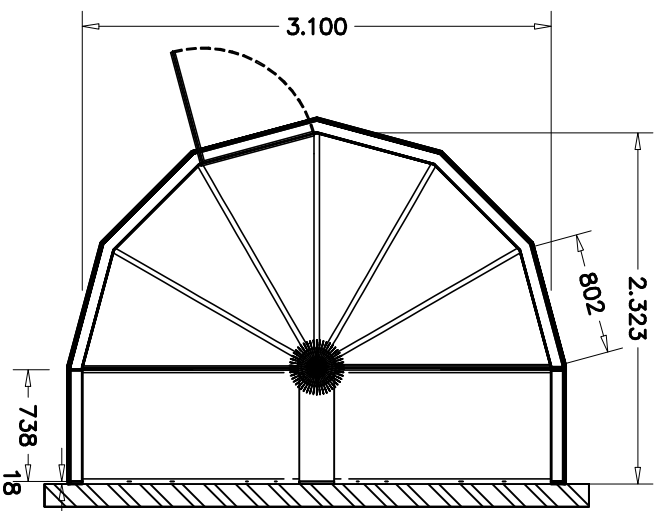
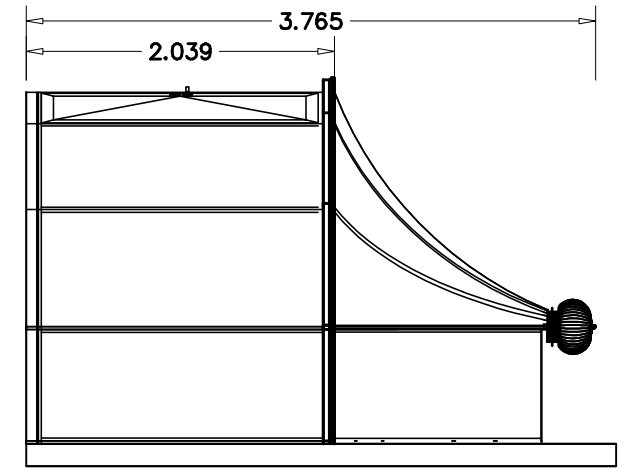
Pagode dia.3776+3



Pagode dia.3776+4

Pagode—C dia.3100

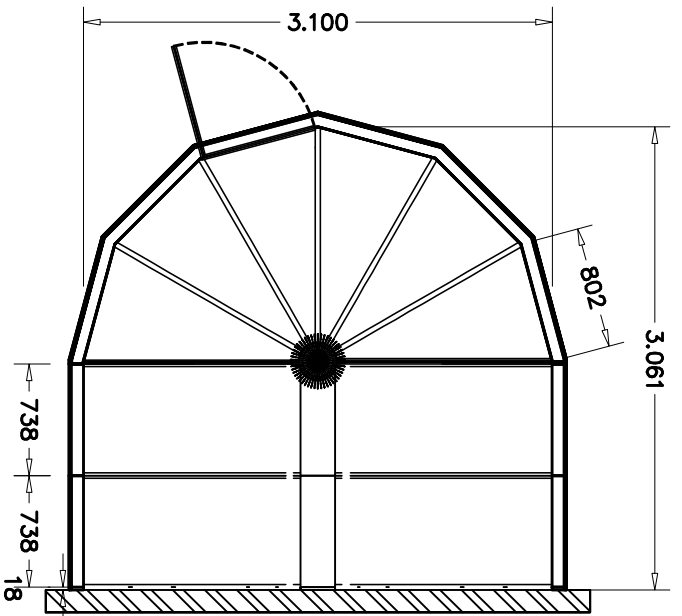
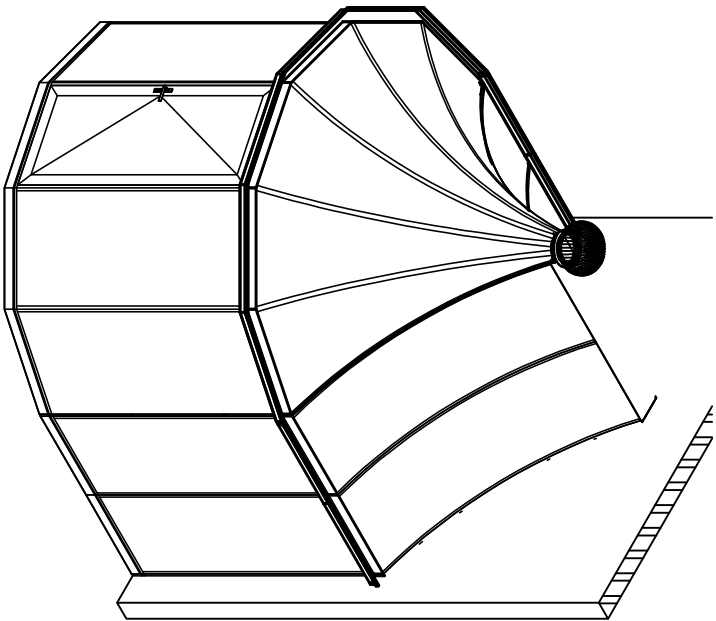
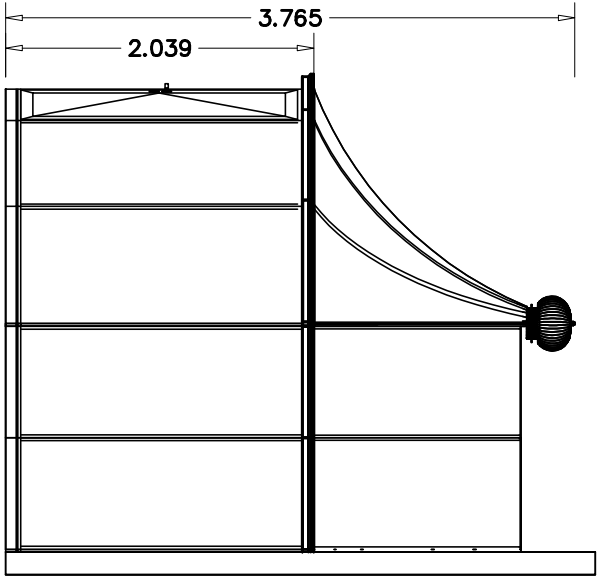
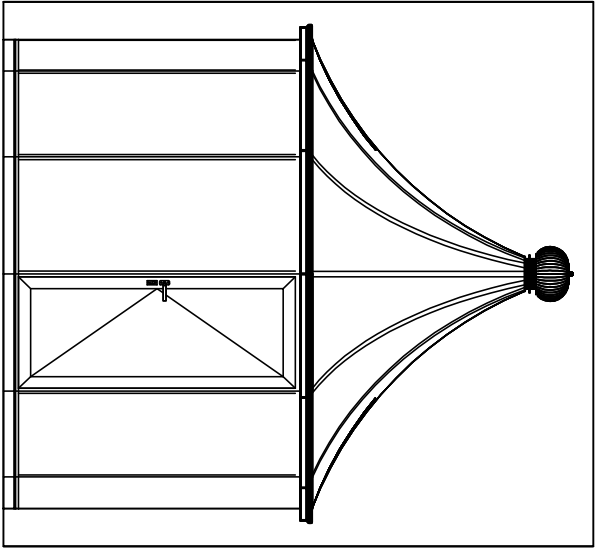




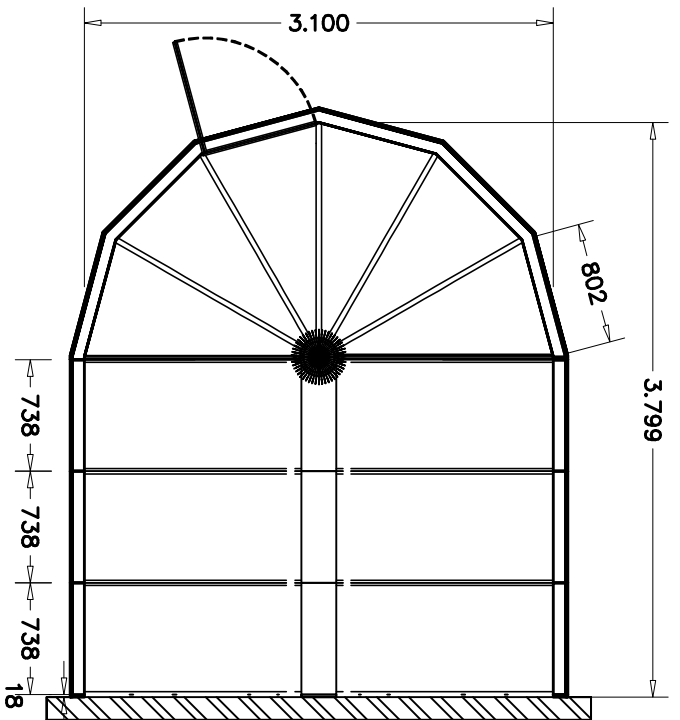
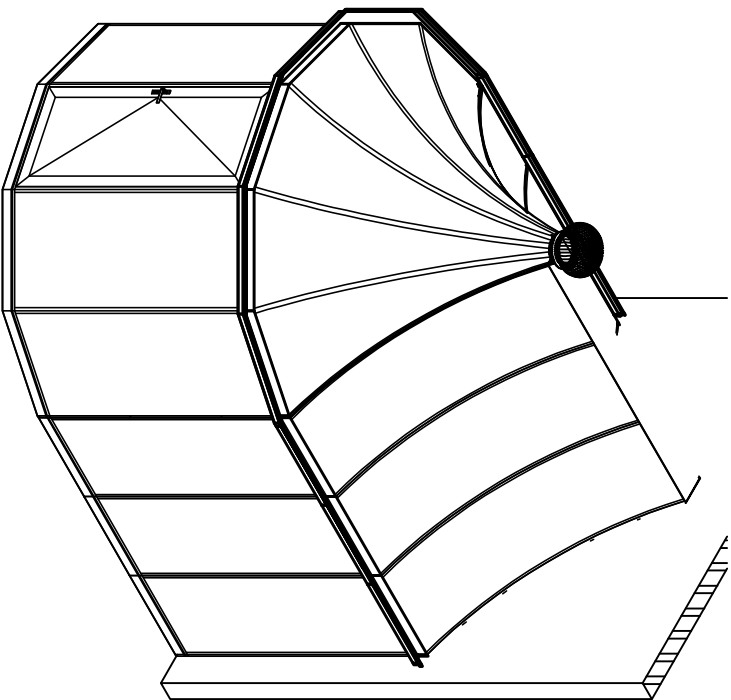
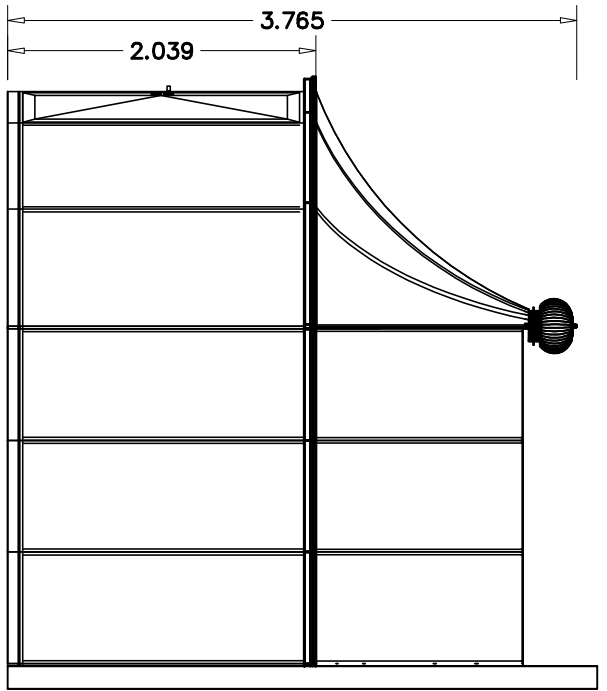
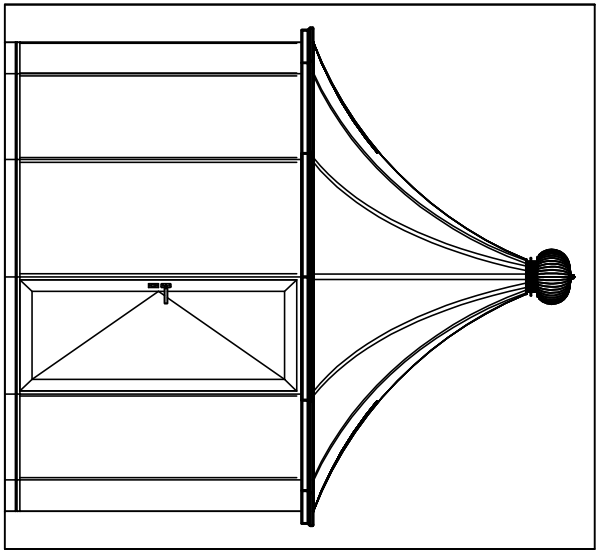
Pagode—C dia.3100+1

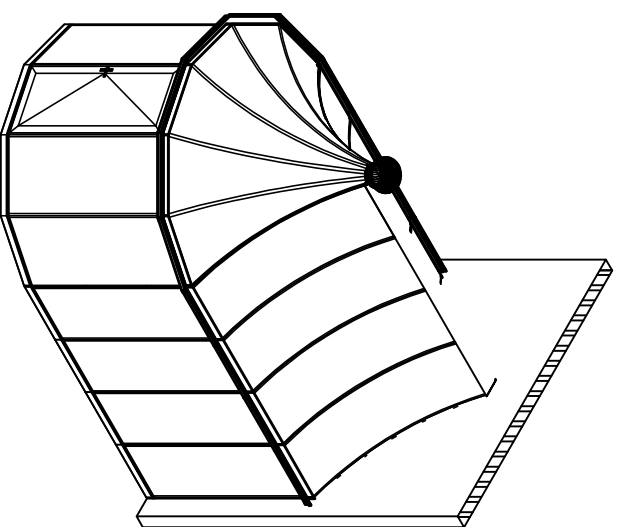
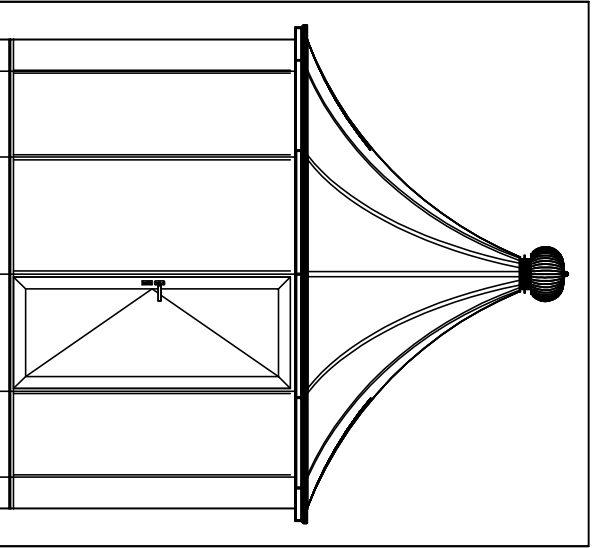
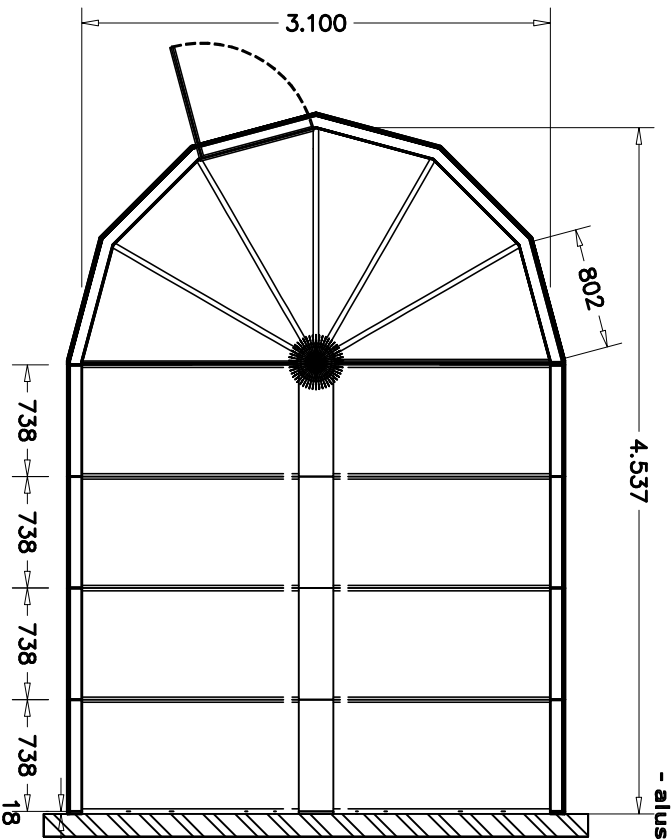
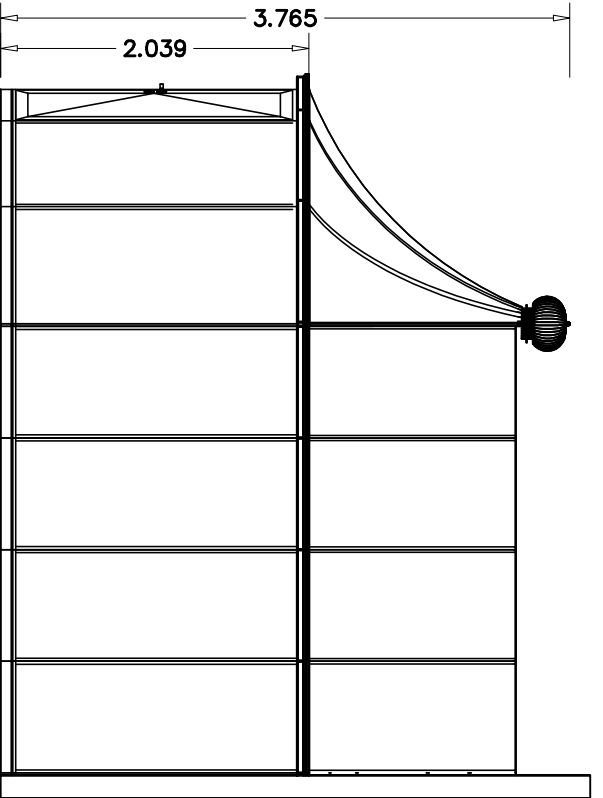
Schaal
1:50

Pagode—C dia.3100+2



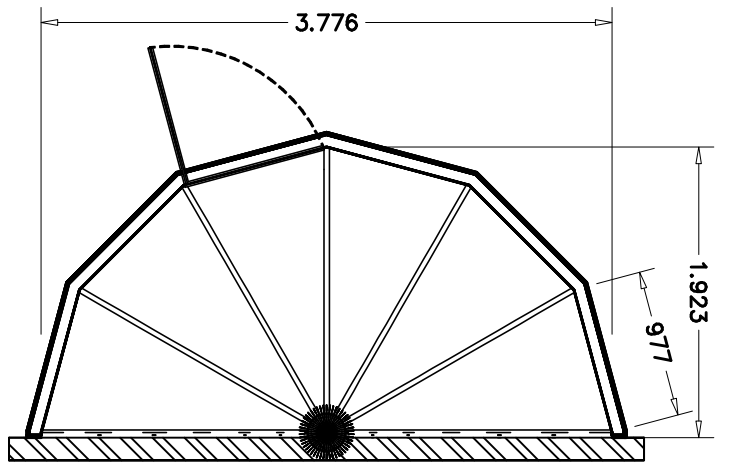
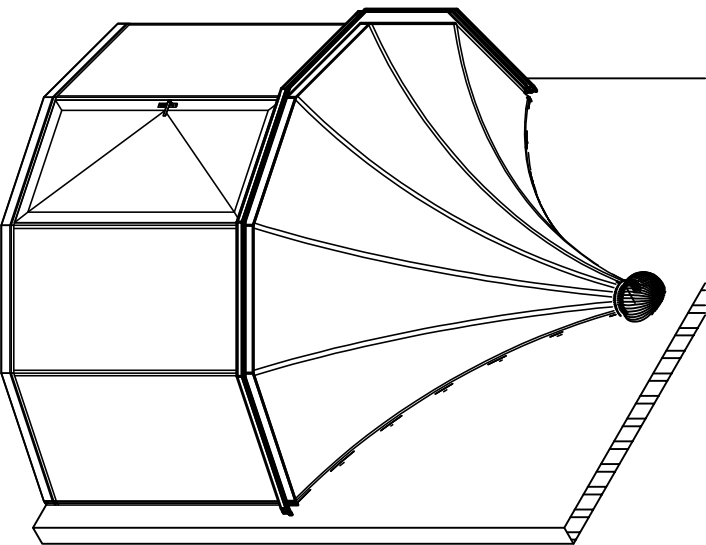
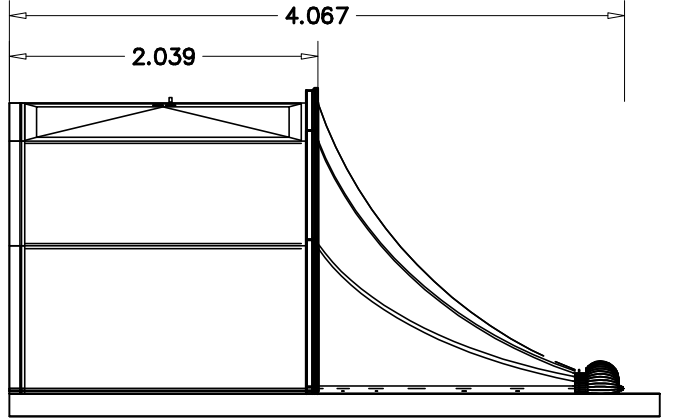
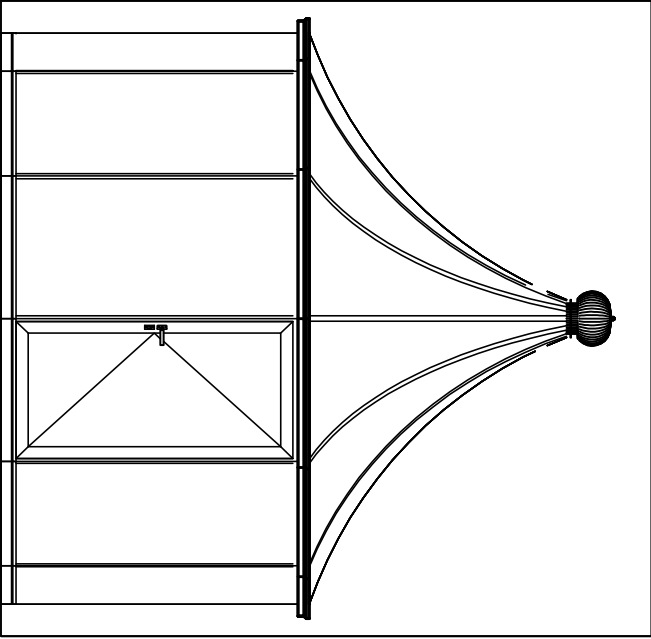
Pagode—C dia.3100+3

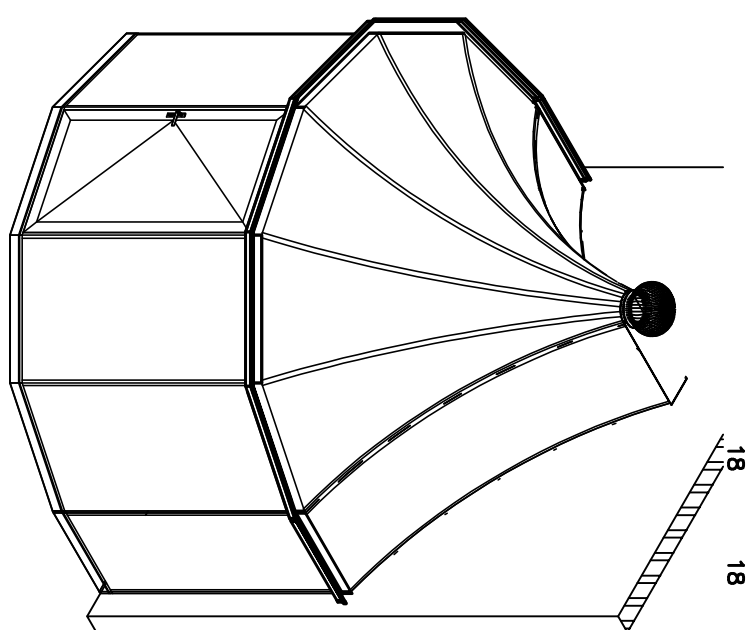
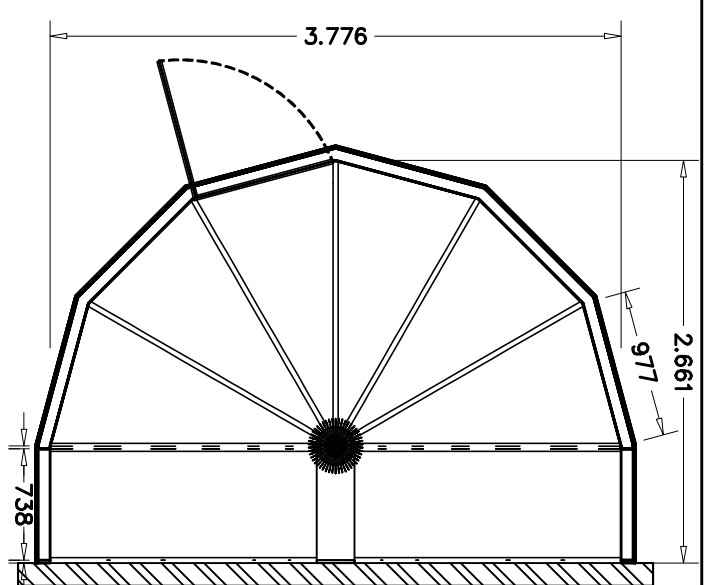
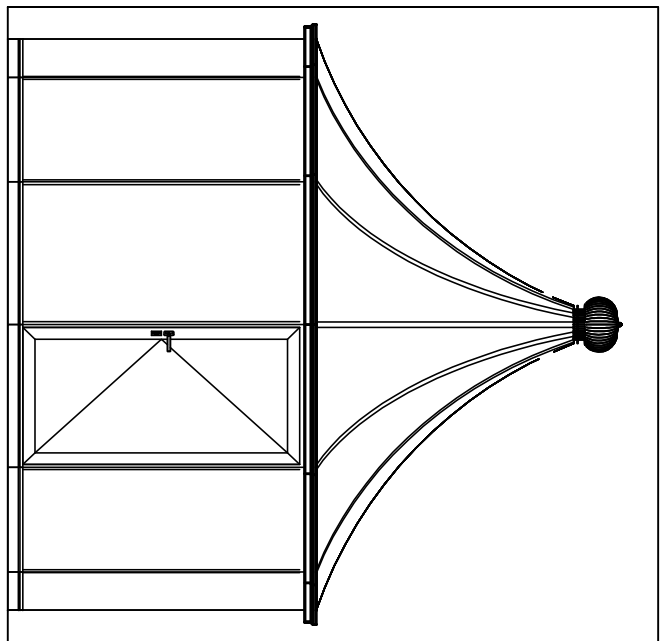
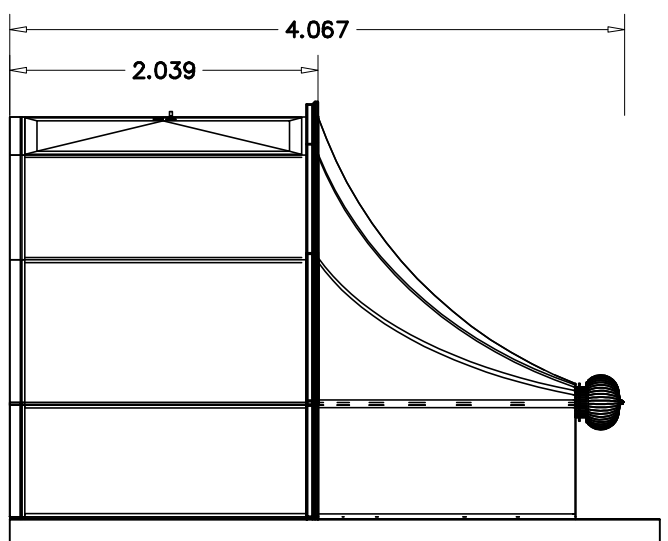




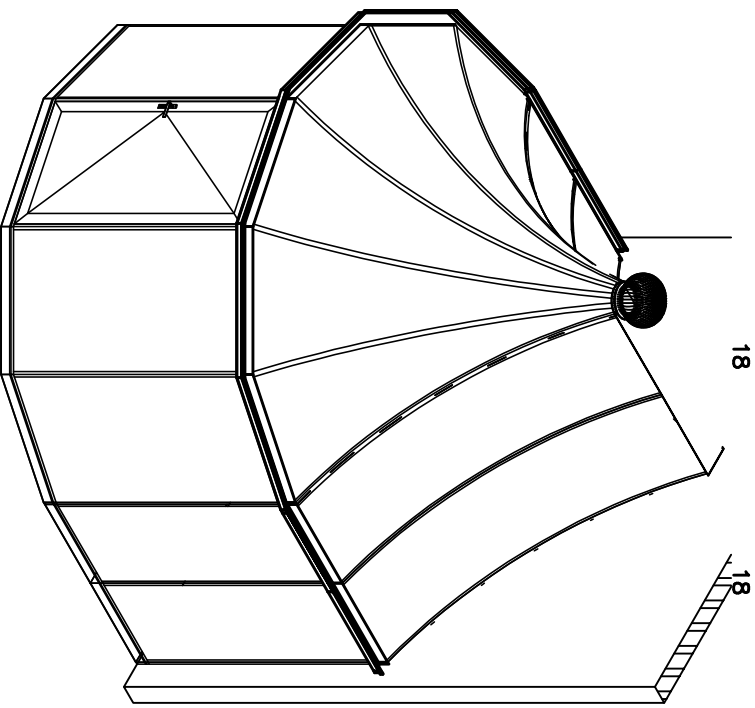
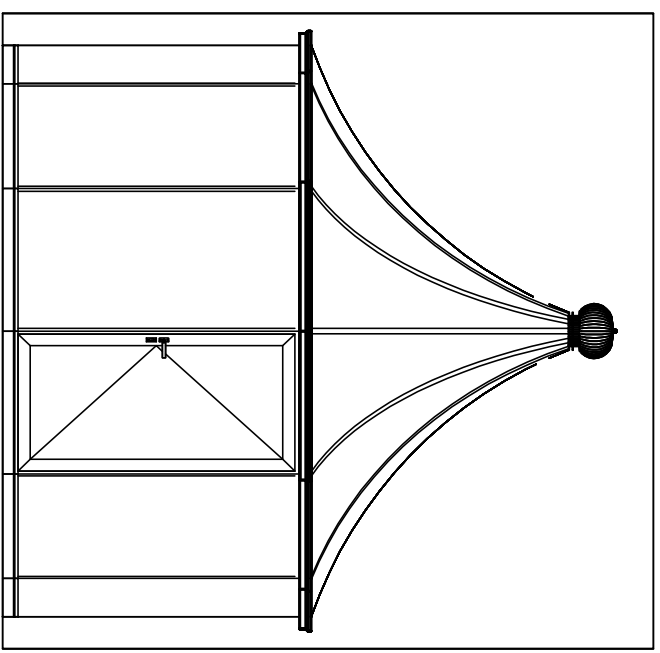
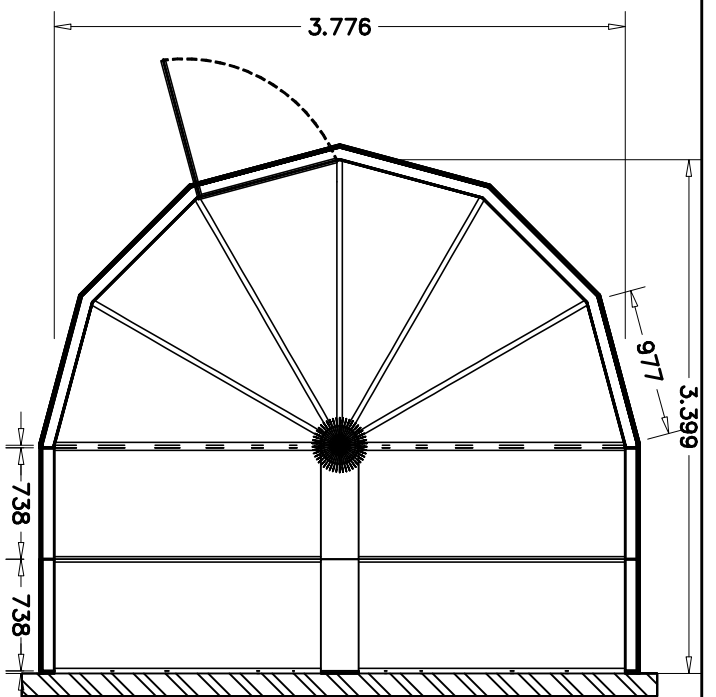
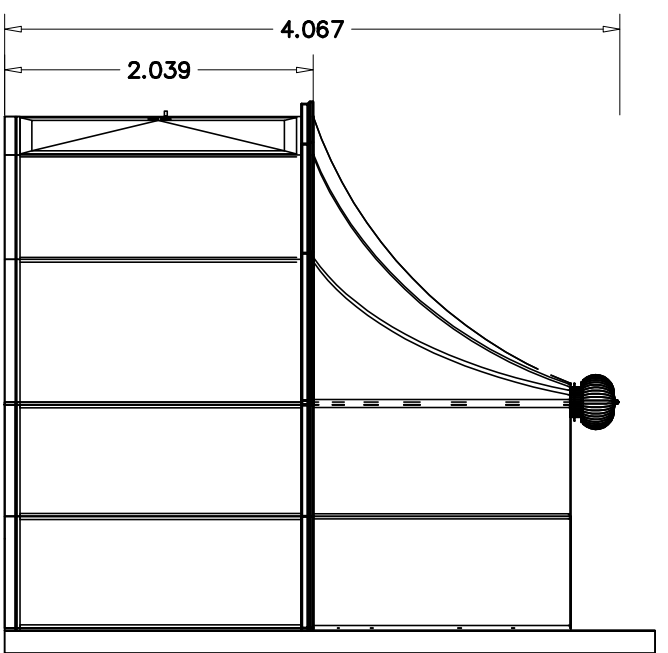
Pagode—C dia.3100+4

Pagode—C dia.3776

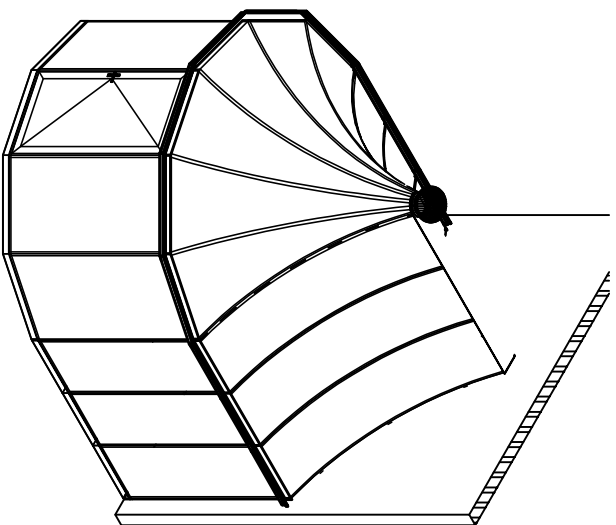
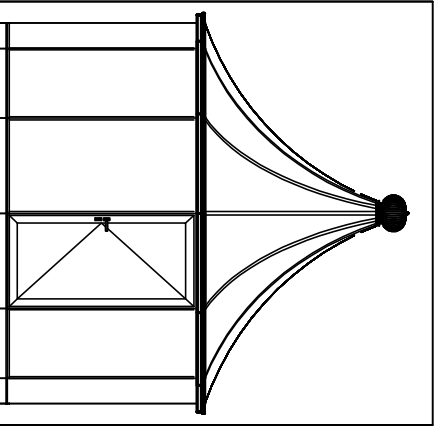
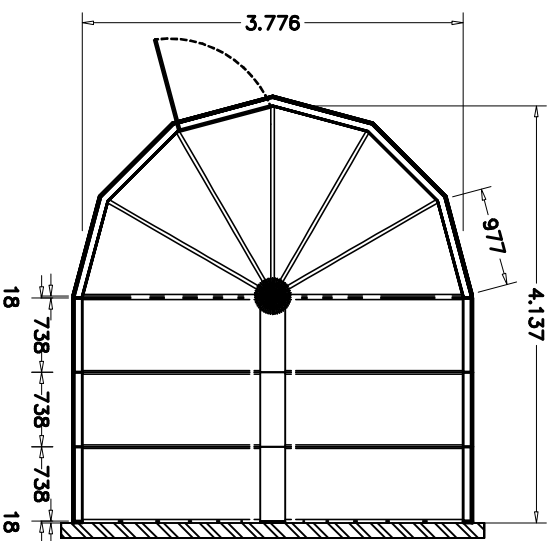
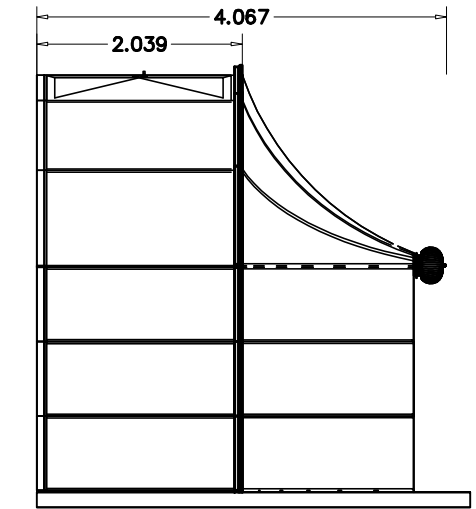




Pagode—C dia.3776+1



Pagode—C dia.3776+2



Pagode—C dia.3776+3

